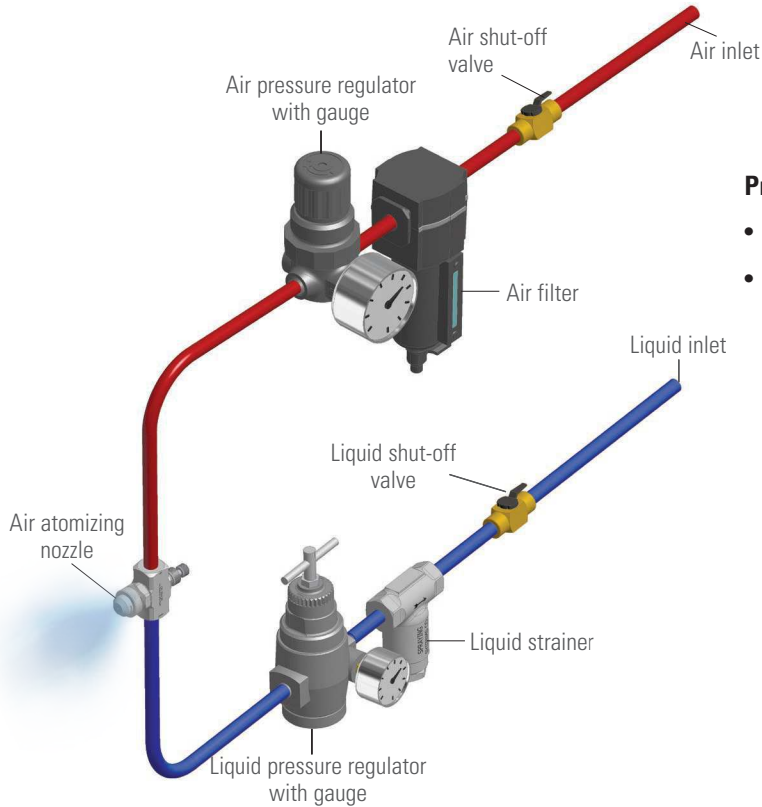


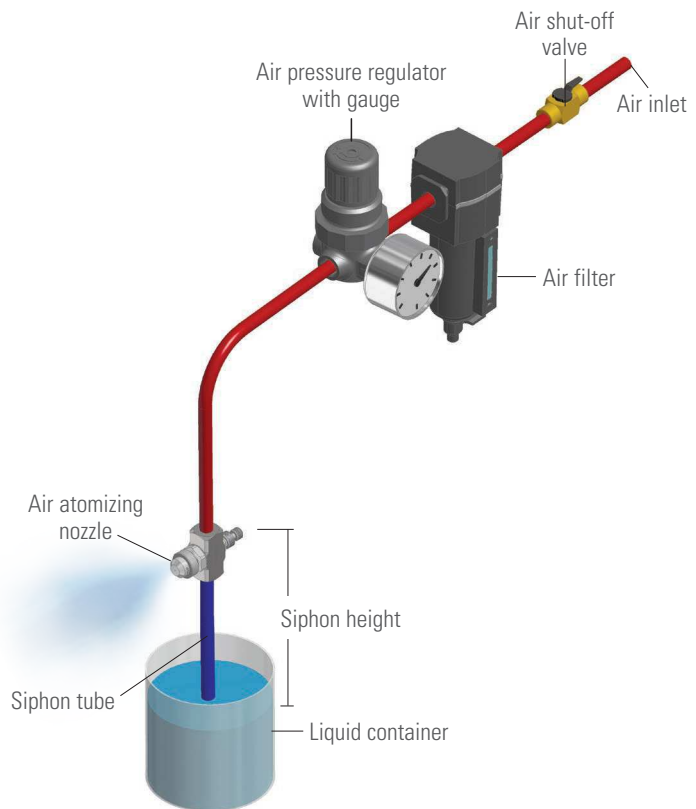
OVERVIEW: AIR ATOMIZING NOZZLE SET-UPS

Liquid can be supplied to the nozzle under pressure or it can be supplied through a liquid siphon or gravity-feed.



Pressure Spray Set-Ups

- Liquid is supplied to the nozzle under pressure
- Air and liquid can be externally or internally mixed to produce a completely atomized spray



Siphon/Gravity-Fed Spray Set-Ups

- Liquid is supplied via liquid siphon or is gravity-fed
- These set-ups are designed to draw liquid through the feed line into the air flow where it is atomized

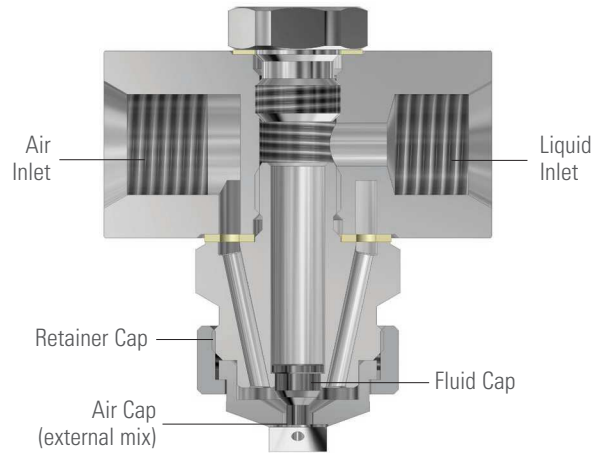
PLACING YOUR ORDER

Call 1.630.665.5000 for application assistance or to place an order.

FOR DETAILED SPRAY SET-UP PERFORMANCE DATA
SEE SECTION D

OVERVIEW: J AND JJ SERIES NOZZLES

- Liquid and compressed air enter the nozzle body and are mixed by the spray set-up to produce a finely atomized spray pattern
- Spray set-ups, consisting of an air cap and a fluid cap, can mix the fluids either internally or externally
- Hundreds of spray set-ups are available to produce cone and flat spray patterns
- A wide variety of nozzle bodies are available for convenient mounting and positioning
- JJ compact nozzle bodies are available for applications where space is limited
- Models available with clean-out needles, shut-off needles, swivels and strainers to optimize performance



1/4J Nozzle

Air and liquid enter the air atomizing nozzle body and are combined by the spray set-up to generate finely atomized droplets.

QUICK REFERENCE GUIDE

Product Number	Inlet Connection Size (in.)	Max Flow	Max Temp (liquid)	Spray Set-Ups
1/8J and 1/4J Series	1/8 , 1/4 (F) NPT or BSPT	72 gph (273 lph)	160°F (71°C)	1/8J and 1/4J set-ups (page D30)
1/8JJ Series	1/8 (F) NPT or BSPT	33.2 gph (126 lph)	160°F (71°C)	1/8JJ set-ups (page D33)
1/2J Series	1/2 (F) NPT or BSPT	306 gph (1158 lph)	160°F (71°C)	1/2J set-ups (page D40)
1J Series	1 (F) NPT or BSPT	29 gpm (110 lpm)	160°F (71°C)	1J set-ups (page D44)



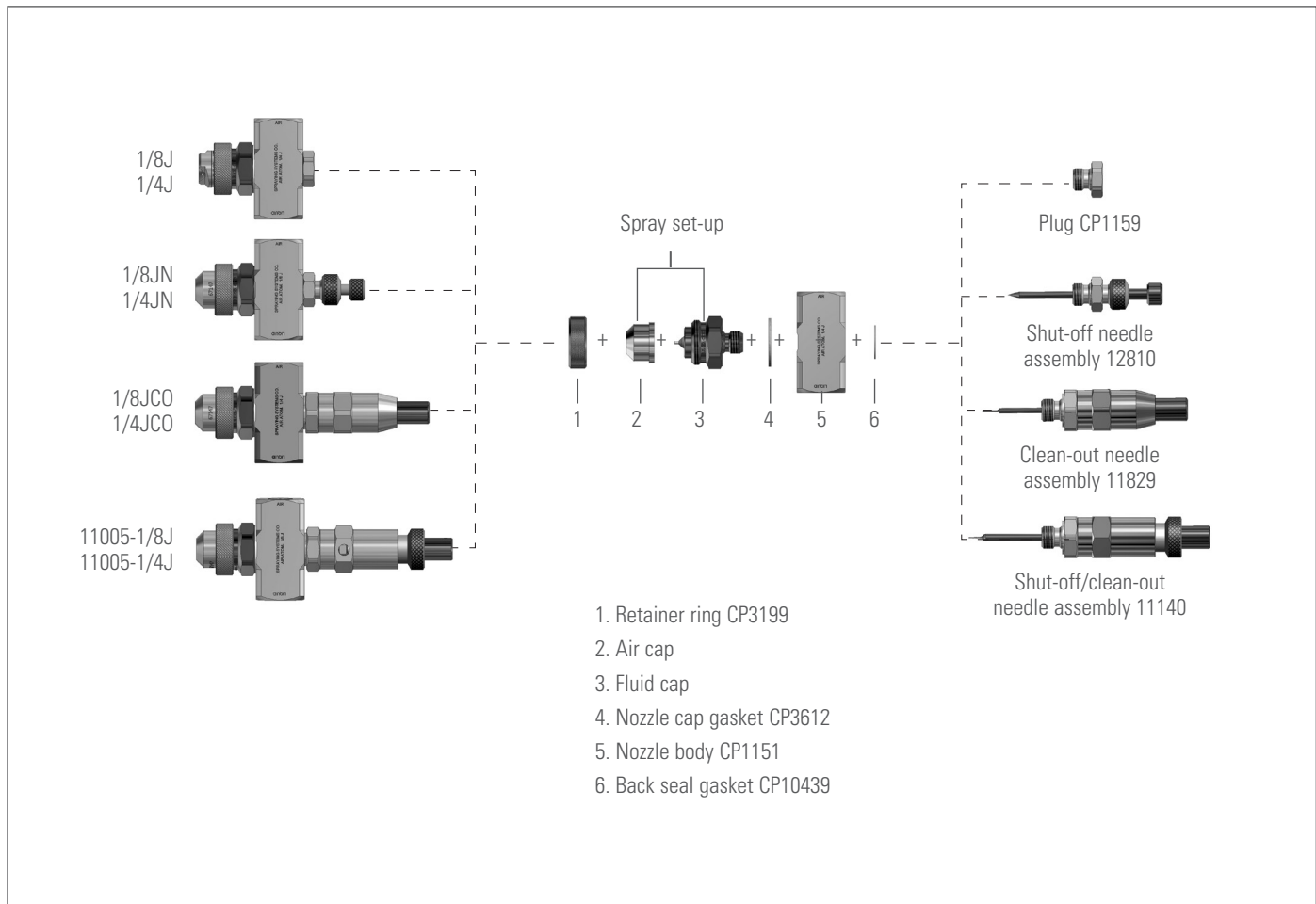
1/8J AND 1/4J SERIES NOZZLES

- J Series nozzles consist of a nozzle body and a spray set-up
- A wide variety of spray set-ups are available with flow rates up to 72 gph (273 lph) in various spray patterns.
- Basic 1/8J and 1/4J bodies have liquid and air inlets on opposing sides of the nozzle bodies. Nozzle bodies include a removable plug so needle assemblies can be added in the future
- Nickel-plated brass or stainless steel construction



1/8J and 1/4J
Nozzles

1/8J AND 1/4J NOZZLE OPTIONS



1/8J AND 1/4J NOZZLE OPTIONS



1/8JN and 1/4JN – Manual shut-off needle to stop liquid flow



1/8JCO and 1/4JCO – Manual clean-out needle to clear obstructions from the fluid orifice



11005-1/8J and 11005-1/4J – Combination shut-off/clean-out needle



1/4JF – Built-in liquid strainer to reduce nozzle plugging



1/8JBC and 1/4JBC – Air and liquid inlets at the back of the nozzle body, in line with the spray direction



1/8-2JAC – 1/8" air and liquid inlets on the same side of the nozzle body with two opposing spray set-ups



1/4-2J – 1/4" air and liquid inlet connections on opposing sides of the nozzle body with two opposing spray set-ups



8650 – Cluster type assembly includes four or five spray set-ups



6552-1/8JAC – Miniature design is only 1/2" thick with a 1-5/32" by 1-1/4" rectangular face. The air and liquid inlets on the same side of the nozzle body – 90° to the spray direction



1/4JBCJ – Steam jacket around the nozzle body for spraying liquids too viscous to spray at room temperatures



20470 – Handheld air atomizing spray gun with 1/4" air and liquid inlets. It features a lightweight aluminum construction and a comfortable, easy-to-operate design



1/8JAC and 1/4JAC – Air and liquid inlets on the same side of the nozzle body – 90° to the spray direction

MORE OPTIONS

1/8JACN and 1/4JACN – Air and liquid inlets on the same side of the nozzle body – 90° to spray direction – with manual shut-off needle

PLACING YOUR ORDER

Call 1.630.665.5000 for application assistance or to place an order.

FOR DETAILED SPRAY SET-UP PERFORMANCE DATA
SEE SECTION D