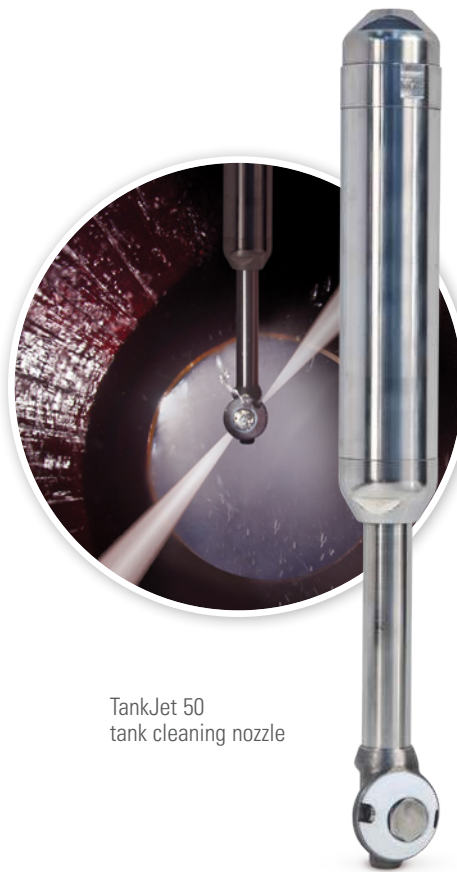


TANK DIA.
UP TO **10 ft.** (3.0 m)

TANKJET® 50 TANK CLEANING NOZZLE

TANKJET 50 TANK CLEANER FEATURES AND BENEFITS

- Choose from high-impact solid stream or narrow angle diffused solid stream nozzle tips
- Powerful cleaning using low flow rates
- Removes tough residues quickly and effectively; solid stream or full cone sprays rotate in multiple axes for complete coverage
- Fast cycle times; one full cycle completed every 16 revolutions. Clean multiple totes in minutes
- Compact – fits in openings as small as 1-3/4" (44.5 mm) and easily inserted into standard bung hole openings
- Compatible with a variety of pumps including pressure washers
- Durable – wear resistant materials and 316L stainless steel
- Fluid-driven – no external motor source required
- Easy to operate and rebuild



TankJet 50
tank cleaning nozzle

HI
HIGH
IMPACT

**SPRAY
COVERAGE**

360°



**MOUNTING
OPTIONS**

Vertical	↑	↓
Horizontal	←	→
45° Up	↖	↗
45° Down	↙	↘

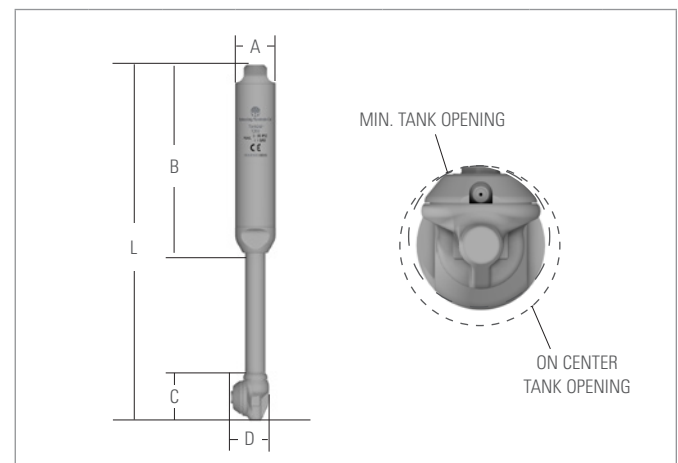
SPECIFICATIONS

TankJet 50 Tank Cleaner	
Max. tank diameter:	10 ft. (3.0m)
Operating principle:	Fluid-driven
Flow rate:	1.9 to 10.3 gpm (7.4 to 39 lpm)
Operating pressure:	75 to 1000 psi (5.2 to 69 bar)
Max. temperature:	200°F (93°C)
Materials:	316 stainless steel, Buna, PEEK, Delrin, CGRTEF and UHMW-PE
Cycle Time:	1-1/4 to 5 minutes
Inlet connection:	3/8" NPT or BSPT (F)
Accessories:	Strainers, recommended mesh size: 100 (150 microns)

IDEAL FOR CLEANING:

- IBC Totes
- Wine barrels
- Food and beverage barrels
- Drums and kegs
- Chemical and storage barrels
- Small tanks and containers

DIMENSIONS AND WEIGHTS



Model	L in. (mm)	A in. (mm)	B in. (mm)	C in. (mm)	D in. (mm)	Tank Opening		Weight lbs. (kg)
						Min. in. (mm)	On Center in. (mm)	
TJ50	15.4 (391)	1.75 (44)	8.2 (208)	2.1 (53)	1.7 (43)	1.75 (44)	2.25 (57)	5.5 (2.5)



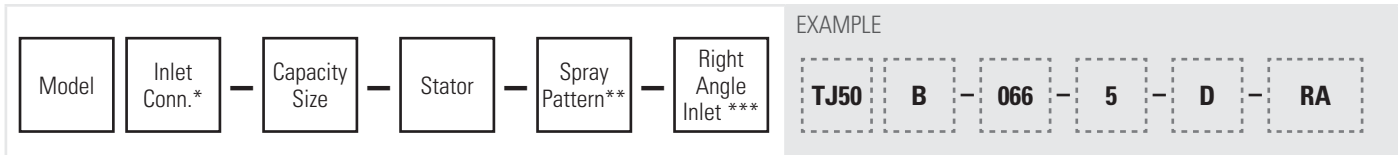
PERFORMANCE DATA

Model TJ50		Liquid Flow Capacity, gpm (lpm) and Cycle Time, min							
Capacity	Stator	75 psi (5.2 bar)	125 psi (8.6 bar)	200 psi (13.8 bar)	300 psi (20.7 bar)	400 psi (27.6 bar)	500 psi (34.5 bar)	750 psi (51.7 bar)	1000 psi (68.9 bar)
053	1	–	–	2.1 (8.1) 3.8 min	2.6 (10.0) 2.9 min	3.0 (11.5) 2.4 min	3.4 (12.9) 2.1 min	4.2 (15.7) 1.6 min	4.8 (18.2) 1.4 min
060	6	–	–	2.7 (10.2) 4.4 min	3.3 (12.5) 3.6 min	3.8 (14.4) 3.1 min	4.3 (16.1) 2.8 min	5.2 (19.7) 2.2 min	6.0 (23) 1.9 min
066	3	1.9 (7.4) 4.1 min	2.5 (9.5) 2.8 min	3.2 (12.0) 2.0 min	3.9 (14.7) 1.5 min	4.5 (17.0) 1.3 min	–	–	–
066	7	–	–	3.2 (12.0) 4.4 min	3.9 (14.7) 3.5 min	4.5 (17.0) 2.9 min	5.0 (19.0) 2.6 min	6.2 (23) 2.0 min	7.1 (27) 1.7 min
076	3	2.4 (9.2) 2.9 min	3.2 (11.9) 2.1 min	4.0 (15.1) 1.6 min	–	–	–	–	–
076	7	–	3.2 (11.9) 4.4 min	4.0 (15.1) 3.4 min	4.9 (18.5) 2.7 min	5.6 (21) 2.3 min	6.3 (24) 2.0 min	7.7 (29) 1.6 min	8.9 (34) 1.3 min
084	7	2.8 (10.7) 4.1 min	3.6 (13.8) 3.3 min	4.6 (17.4) 2.7 min	5.6 (21) 2.2 min	6.5 (25) 2.0 min	7.3 (28) 1.8 min	8.9 (34) 1.5 min	10.3 (39) 1.3 min
096	7	3.3 (12.6) 3.6 min	4.3 (16.2) 2.8 min	5.4 (21) 2.2 min	6.6 (25) 1.7 min	7.7 (29) 1.5 min	8.6 (32) 1.3 min	–	–

IMPORTANT NOTE: Only the nozzle size and stator combinations as given in table should be used for the operating performance specified. Other configurations are not recommended and may not provide intended performance and cleaning effectiveness.

ORDERING INFORMATION

TANKJET 50 TANK CLEANER



*Leave blank for NPT connection. Insert B for BSPT connection.

**Leave blank for solid stream nozzle tip, add D for diffused solid stream nozzle tip.

***Leave blank for straight inlet connection

