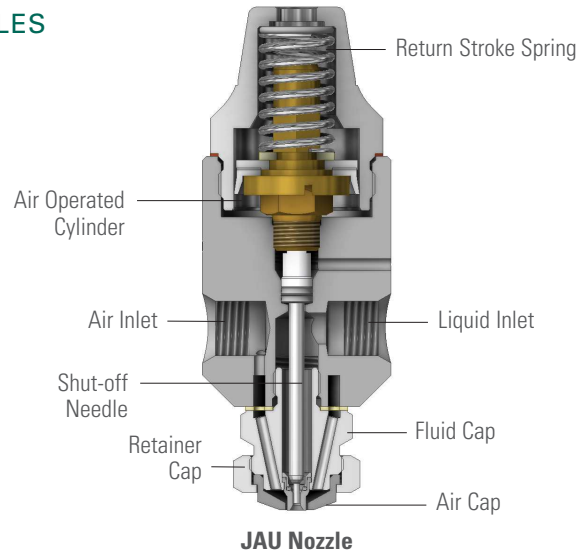


OVERVIEW: AIR-ACTUATED AIR ATOMIZING NOZZLES

- Compressed air is used to control air cylinder operation for accurate intermittent spraying (up to 180 cycles per minute) and also for liquid atomization
- Wide variety of nozzle bodies is available for convenient mounting and positioning
- Models available with clean-out needles, shut-off needles, swivels and strainers to optimize performance
- Liquid lines can be pressure-fed, siphon-fed or gravity-fed
- Spray set-ups, consisting of an air cap and a fluid cap can mix the fluids either internally or externally to produce a fine spray pattern
- Dozens of Drip Free™ air atomizing spray set-ups available for a wide range of flow capacity and spray patterns



JAU Nozzle

JAU air atomizing nozzles mix compressed air and liquid to form a finely atomized spray. An air-actuated internal cylinder with a return stroke spring cycles the nozzle up to 180 times per minute.

QUICK REFERENCE GUIDE

Product Number	Inlet Connection Size (in.)	Max Liquid Pressure	Min Air Cylinder Pressure	Max Flow	Max Temp (liquid)	Max Speed	Spray Set-Ups
1/4JAU	1/4 NPT or BSPT (air and liquid)	125 psi (8.6 bar)	30 psi (2.1 bar)	1.2 gpm (4.5 lpm)	160°F (71°C)	180 cpm	1/4J set-ups (page D22)
1/8JJAU	1/8 NPT or BSPT (air and liquid)	125 psi (8.6 bar)	30 psi (2.1 bar)	0.55 gpm (2.1 lpm)	160°F (71°C)	180 cpm	1/8JJ set-ups (page D33)
D55500-JAU	1/8 NPT or BSPT (air and liquid)	43 psi (3 bar)	72 psi (5 bar)	0.42 gpm (1.6 lpm)	158°F (70°C)	600 cpm	1/4J or DSU set-ups (page D22 & D32)
D55500-JAU CO	1/8 NPT or BSPT (air and liquid)	58 psi (4 bar)	72 psi (5 bar)	0.42 gpm (1.6 lpm)	158°F (70°C)	300 cpm	1/4J or DSU set-ups (page D22 & D32)
1/8VAU	1/8 NPT or BSPT (atom. air, fan air and liquid)	90 psi (6.2 bar)	35 psi (2.4 bar)	0.83 gpm (3.15 lpm)	200°F (93°C)	180 cpm	SUV set-ups (page D58)
1/4VMAU	1/4 NPT or BSPT, or sanitary flange (atom. air, fan air and liquid)	90 psi (6.2 bar)	35 psi (2.4 bar)	1.22 gpm (4.62 lpm)	200°F (93°C)	180 cpm	SUVM set-ups (page D55)
10535-1/4J	1/4 NPT or BSPT (air and liquid)	125 psi (8.6 bar)	30 psi (2.1 bar)	1.2 gpm (4.5 lpm)	400°F (204°C) liquid 150°F (66°C) air	180 cpm	1/4J set-ups (page D22)
10536-1/2J	1/2 NPT or BSPT (air and liquid)	125 psi (8.6 bar)	30 psi (2.1 bar)	5.1 gpm (19.3 lpm)	400°F (204°C) liquid 150°F (66°C) air	180 cpm	1/2J set-ups (page D41)
72100	Hose barbs for 1/8" tubing	100 psi (7 bar)	50 psi (3.5 bar)	0.22 gpm (0.83 lpm)	400°F (204°C)	180 cpm	1/8JJ set-ups up to PF35100 (page D33)



1/4JAU SERIES NOZZLES

- Flow rates up to 1.2 gpm (4.5 lpm)
- Drip Free™ set-ups provide complete shut-off
- Nickel-plated brass or stainless steel construction



**1/4JAU
Nozzle**

1/4JAU NOZZLE OPTIONS



1/4JAUCO – Clean-out needle operates with every spray cycle to reduce clogging



7310-1/4JAU – Knurled head screw control permits manual nozzle shut-off without disturbing operation of other nozzles on a manifold



6218-1/4JAU – Single air inlet for cylinder and atomizing air



6083-1/4JAU – Single air inlet for cylinder and atomizing air. Includes manual shut-off assembly to temporarily block liquid flow



1/4JAUPM – Plate-mounted nozzle with all inlet connections at the rear of the mounting plate



19330-1/4JAUPM – Plate-mounted nozzle with all inlet connections at the rear of the mounting plate. Locking regulating screw allows precise adjustment of atomizing air



1/4JAUMCO – Metering knob provides precise adjustment of liquid flow in 5% increments from zero to 100%



13242-1/4JAU – Single air inlet for cylinder and atomizing air. Used specifically for large fluid caps (PF80_and PF100_)



10880-1/4JAU – Used specifically for spray set-ups containing the largest fluid caps (80150DF or 100150DF)

MORE OPTIONS

1/4JAUPMCO – Combines clean-out needle for reduced clogging with convenience of plate-mounting

17366-1/4JAU – Single air inlet for cylinder and atomizing air with regulating screw for atomizing air

1/8JJAU SERIES NOZZLES

- Compact design ideal where space is limited
- Flow rates up to 0.55 gpm (2.1 lpm)
- Drip Free™ set-ups provide complete shut-off
- Nickel-plated brass or stainless steel construction



**1/8JJAU
Nozzle**

1/8JJAU NOZZLE OPTIONS



14700-1/8JJAU – Knurled head screw control permits manual nozzle shut-off without disturbing operation of other nozzles on a manifold



14675-1/8JJAU – Single air inlet for cylinder and atomizing air



16860-1/8JJAU – Sprays at a 45° angle from nozzle inlet axis



38499-1/8JJAU – Uses 1/4J spray set-ups.



17690-1/8JJAU – Available with extensions up to 18" (457 mm)



49660-1/8JJAU – Available with extensions and either 45° or 90° spray direction from nozzle body

MORE OPTIONS

1/8JJAUMCO – Metering knob provides precise adjustment of liquid flow in 5% increments from zero to 100%

16883-1/8JJAU – Single air inlet for cylinder and atomizing air. Sprays at a 45° angle from nozzle inlet axis

PLACING YOUR ORDER

Call 1.630.665.5000 for application assistance or to place an order.

FOR DETAILED SPRAY SET-UP PERFORMANCE DATA
SEE SECTION D



AIR-ACTUATED AIR ATOMIZING NOZZLE OPTIONS

D55500-JAU

- Block design 30% smaller than standard 1/4JAU
- Flow rates up to 0.42 gpm (1.6 lpm)
- Available with plate mount and wall mount options
- Drip Free™ spray set-ups provide complete shut-off
- Stainless steel construction



D55500-JAUCO

- Block design 30% smaller than standard 1/4JAU
- Flow rates up to 0.42 gpm (1.6 lpm)
- Available with plate mount and wall mount options
- Clean-out needle reduces clogging
- Drip Free spray set-ups provide complete shut-off
- Stainless steel construction



VAU/VMAU Variable Spray

- Flow rates up to 1.22 gpm (4.62 lpm)
- Stainless steel construction
- Independent control of liquid, fan air and atomizing air provides maximum control of spray coverage
- Dual liquid inlets allow recirculating of sprayed fluid
- VMAU offers modular construction for reduced maintenance time



10535-1/4J

- Flow rates up to 1.2 gpm (4.5 lpm)
- Self-contained air cylinder provides controlled intermittent spraying
- Drip Free spray set-ups provide complete shut-off
- Nickel-plated brass or stainless steel construction



10536-1/2J

- Flow rates up to 5.1 gpm (19.3 lpm)
- Self-contained air cylinder provides controlled intermittent spraying
- Drip Free spray set-ups provide complete shut-off
- Nickel-plated brass or stainless steel construction



72100-1/8JJAU

- Smallest automatic air atomizing nozzle available
- Flow rates up to 0.22 gpm (0.83 lpm)
- Less than 1.5" (38 mm) in length; 1.2 oz. (34 g) net weight
- Optional clean-out needle reduces clogging
- Nickel-plated brass or stainless steel construction



PLACING YOUR ORDER

Call 1.630.665.5000 for application assistance or to place an order.

FOR DETAILED SPRAY SET-UP PERFORMANCE DATA SEE SECTION D