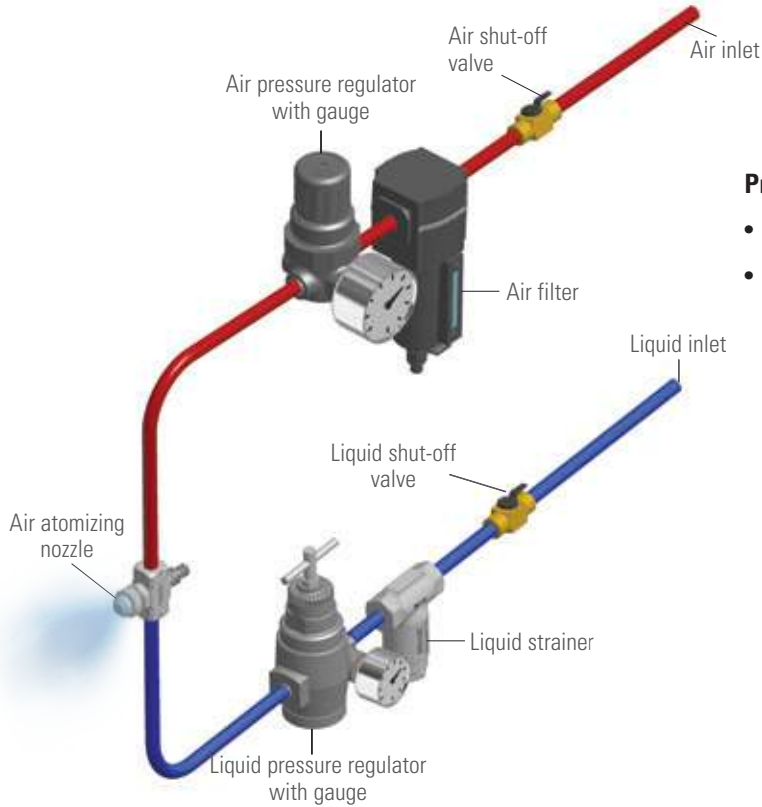


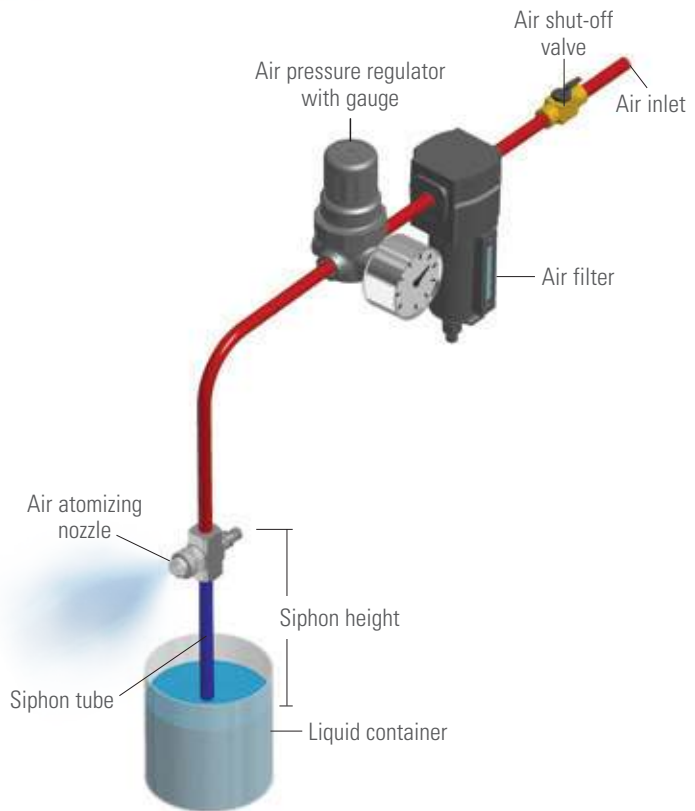
**OVERVIEW: AIR ATOMIZING NOZZLE SET-UPS**

Liquid can be supplied to the nozzle under pressure or it can be supplied through a liquid siphon or gravity-feed.



**Pressure Spray Set-Ups**

- Liquid is supplied to the nozzle under pressure
- Air and liquid can be externally or internally mixed to produce a completely atomized spray



**Siphon/Gravity-Fed Spray Set-Ups**

- Liquid is supplied via liquid siphon or is gravity-fed
- These set-ups are designed to draw liquid through the feed line into the air flow where it is atomized

**PLACING YOUR ORDER**

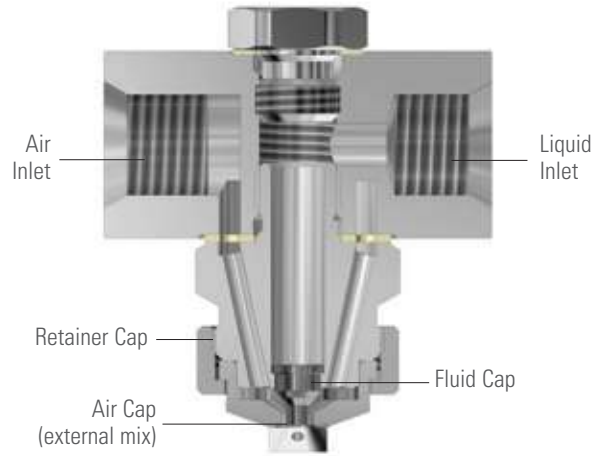
Call **1.800.95.SPRAY** for application assistance or to place an order.

FOR DETAILED SPRAY SET-UP PERFORMANCE DATA  
**SEE SECTION D**



**OVERVIEW: J AND JJ SERIES NOZZLES**

- Liquid and compressed air enter the nozzle body and are mixed by the spray set-up to produce a finely atomized spray pattern
- Spray set-ups, consisting of an air cap and a fluid cap, can mix the fluids either internally or externally
- Hundreds of spray set-ups are available to produce cone and flat spray patterns
- A wide variety of nozzle bodies are available for convenient mounting and positioning
- JJ compact nozzle bodies are available for applications where space is limited
- Models available with clean-out needles, shut-off needles, swivels and strainers to optimize performance



**1/4J Nozzle**

Air and liquid enter the air atomizing nozzle body and are combined by the spray set-up to generate finely atomized droplets.

**QUICK REFERENCE GUIDE**

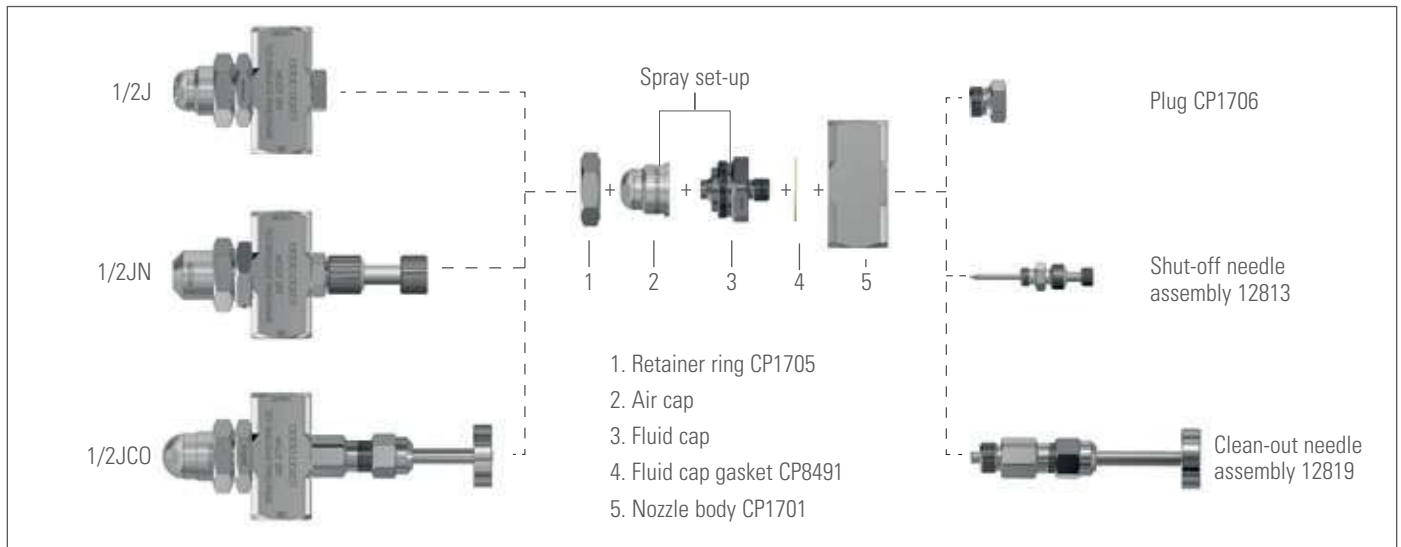
Product Number	Inlet Connection Size (in.)	Max Flow	Max Temp (liquid)	Spray Set-Ups
<b>1/4J Series</b>	1/4 (F) NPT or BSPT	72 gph (273 lph)	160°F (71°C)	1/4J set-ups (page D32)
<b>1/8JJ Series</b>	1/8 (F) NPT or BSPT	33.2 gph (126 lph)	160°F (71°C)	1/8JJ set-ups (page D35)
<b>1/2J Series</b>	1/2 (F) NPT or BSPT	306 gph (1158 lph)	160°F (71°C)	1/2J set-ups (page D43)
<b>1J Series</b>	1 (F) NPT or BSPT	29 gpm (110 lpm)	160°F (71°C)	1J set-ups (page D49)

**1/2J SERIES NOZZLES**

- J Series nozzles consist of a nozzle body and a spray set-up
- A wide variety of spray set-ups are available with flow rates up to 306 gph (1158 lph) in various spray patterns
- Basic 1/2J bodies have liquid and air inlets on opposing sides of the nozzle bodies. Nozzle bodies include a removable plug so needle assemblies can be added in the future
- Nickel-plated brass or stainless steel construction



**1/2J NOZZLE OPTIONS**



**1/2JN** – Manual shut-off needle to stop liquid flow



**1/2JCO** – Manual clean-out needle to clear obstructions from the fluid orifice



**1/2JBC** – Air and liquid inlets at the back of the nozzle body, in line with the spray direction



**1/2JBCJ** – Steam jacket around the nozzle body for spraying liquids too viscous to spray at room temperatures



**1/2-2J** – 1/2" air and liquid inlet connections on opposing sides of the nozzle body with two opposing spray set-ups

**WALL MOUNT ADAPTER OPTIONS**

**Thick wall adapters** for 1/4J with 3/4" NPT or BSPT (M) adapter connections use CP4886 wall mount adapters. Replace retainer rings on nozzle assemblies and fit into threaded wall openings. *See page G22 for more details*