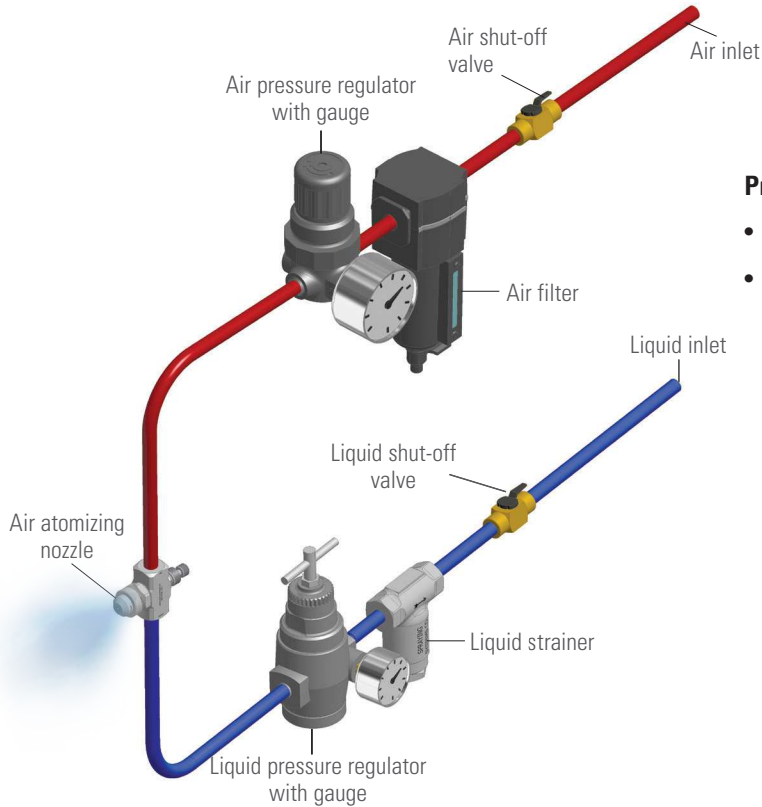


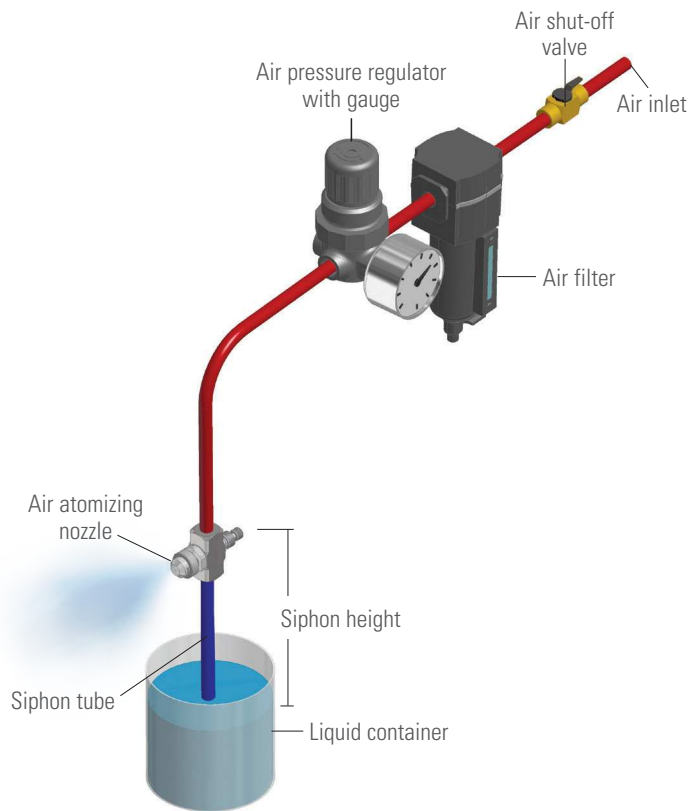
**OVERVIEW: AIR ATOMIZING NOZZLE SET-UPS**

Liquid can be supplied to the nozzle under pressure or it can be supplied through a liquid siphon or gravity-feed.



**Pressure Spray Set-Ups**

- Liquid is supplied to the nozzle under pressure
- Air and liquid can be externally or internally mixed to produce a completely atomized spray



**Siphon/Gravity-Fed Spray Set-Ups**

- Liquid is supplied via liquid siphon or is gravity-fed
- These set-ups are designed to draw liquid through the feed line into the air flow where it is atomized

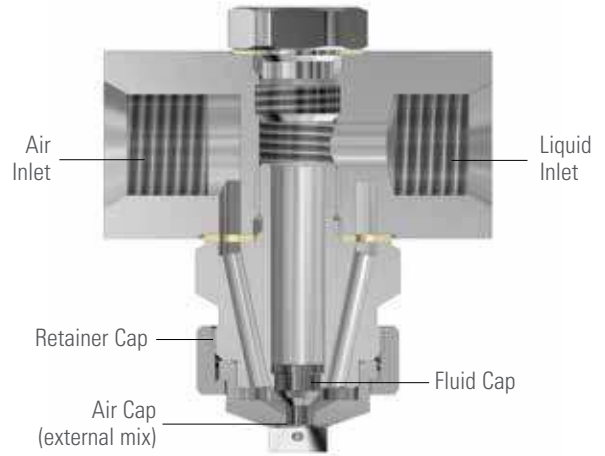
**PLACING YOUR ORDER**

Call **1.800.95.SPRAY** for application assistance or to place an order.

FOR DETAILED SPRAY SET-UP PERFORMANCE DATA  
**SEE SECTION D**

**OVERVIEW: J AND JJ SERIES NOZZLES**

- Liquid and compressed air enter the nozzle body and are mixed by the spray set-up to produce a finely atomized spray pattern
- Spray set-ups, consisting of an air cap and a fluid cap, can mix the fluids either internally or externally
- Hundreds of spray set-ups are available to produce cone and flat spray patterns
- A wide variety of nozzle bodies are available for convenient mounting and positioning
- JJ compact nozzle bodies are available for applications where space is limited
- Models available with clean-out needles, shut-off needles, swivels and strainers to optimize performance



**1/4J Nozzle**

Air and liquid enter the air atomizing nozzle body and are combined by the spray set-up to generate finely atomized droplets.

**QUICK REFERENCE GUIDE**

Product Number	Inlet Connection Size (in.)	Max Flow	Max Temp (liquid)	Spray Set-Ups
<b>1/8J and 1/4J Series</b>	1/8 , 1/4 (F) NPT or BSPT	72 gph (273 lph)	400°F (204°C)	1/8J and 1/4J set-ups (page D30)
<b>1/8JJ Series</b>	1/8 (F) NPT or BSPT	33.2 gph (126 lph)	400°F (204°C)	1/8JJ set-ups (page D33)
<b>1/2J Series</b>	1/2 (F) NPT or BSPT	306 gph (1158 lph)	400°F (204°C)	1/2J set-ups (page D40)
<b>1J Series</b>	1 (F) NPT or BSPT	29 gpm (110 lpm)	400°F (204°C)	1J set-ups (page D44)



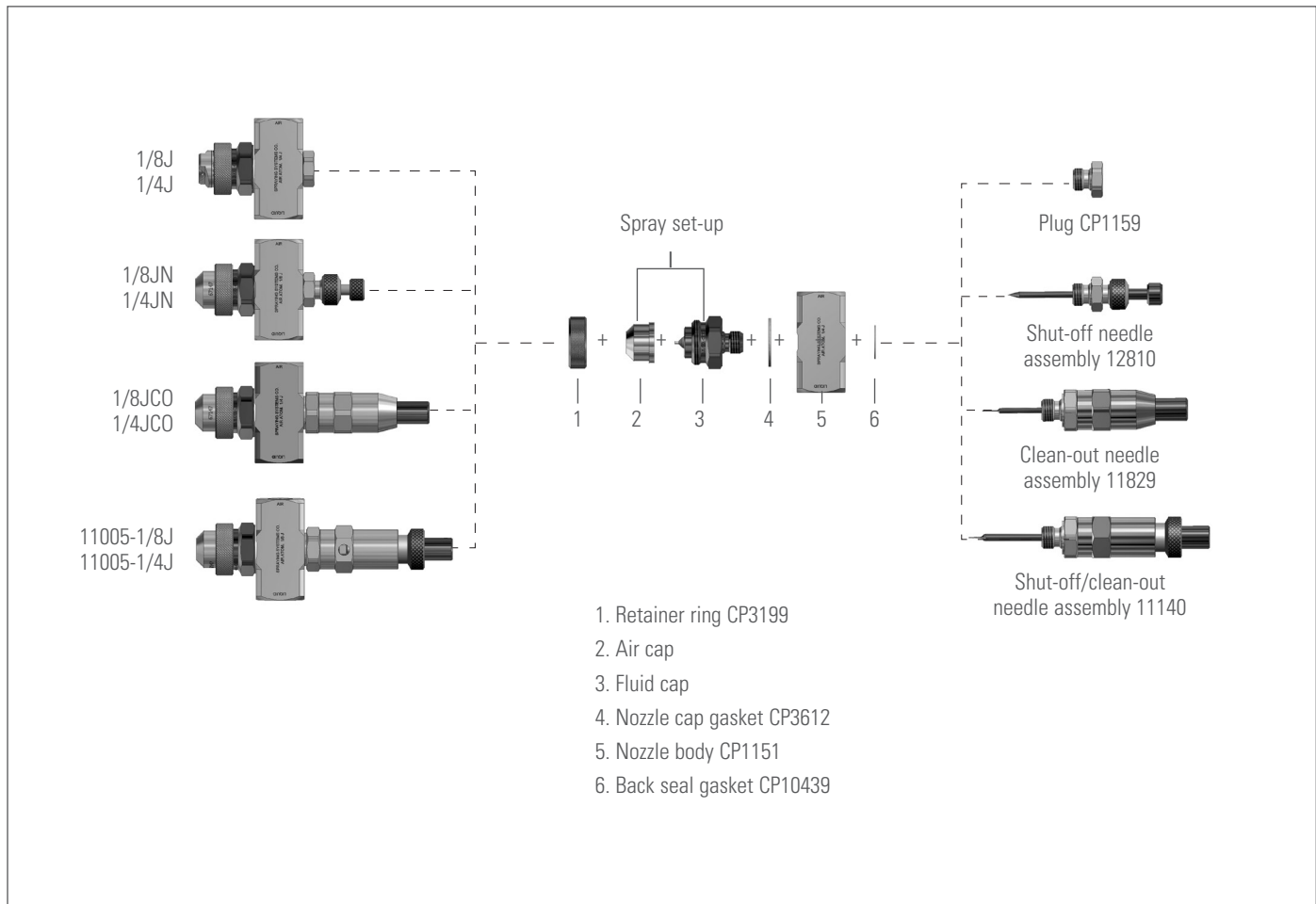
**1/8J AND 1/4J SERIES NOZZLES**

- J Series nozzles consist of a nozzle body and a spray set-up
- A wide variety of spray set-ups are available with flow rates up to 72 gph (273 lph) in various spray patterns.
- Basic 1/8J and 1/4J bodies have liquid and air inlets on opposing sides of the nozzle bodies. Nozzle bodies include a removable plug so needle assemblies can be added in the future
- Nickel-plated brass or stainless steel construction



**1/8J and 1/4J  
Nozzles**

**1/8J AND 1/4J NOZZLE OPTIONS**



1/8J AND 1/4J NOZZLE OPTIONS



**1/8JN and 1/4JN** – Manual shut-off needle to stop liquid flow



**1/8JCO and 1/4JCO** – Manual clean-out needle to clear obstructions from the fluid orifice



**11005-1/8J and 11005-1/4J** – Combination shut-off/clean-out needle



**1/4JF** – Built-in liquid strainer to reduce nozzle plugging



**1/8JBC and 1/4JBC** – Air and liquid inlets at the back of the nozzle body, in line with the spray direction



**1/8-2JAC** – 1/8" air and liquid inlets on the same side of the nozzle body with two opposing spray set-ups



**1/4-2J** – 1/4" air and liquid inlet connections on opposing sides of the nozzle body with two opposing spray set-ups



**8650** – Cluster type assembly includes four or five spray set-ups



**6552-1/8JAC** – Miniature design is only 1/2" thick with a 1-5/32" by 1-1/4" rectangular face. The air and liquid inlets on the same side of the nozzle body – 90° to the spray direction



**1/4JBCJ** – Steam jacket around the nozzle body for spraying liquids too viscous to spray at room temperatures



**20470** – Handheld air atomizing spray gun with 1/4" air and liquid inlets. It features a lightweight aluminum construction and a comfortable, easy-to-operate design



**1/8JAC and 1/4JAC** – Air and liquid inlets on the same side of the nozzle body – 90° to the spray direction

MORE OPTIONS

**1/8JACN and 1/4JACN** – Air and liquid inlets on the same side of the nozzle body – 90° to spray direction – with manual shut-off needle

PLACING YOUR ORDER

Call 1.800.95.SPRAY for application assistance or to place an order.

FOR DETAILED SPRAY SET-UP PERFORMANCE DATA  
SEE SECTION D

