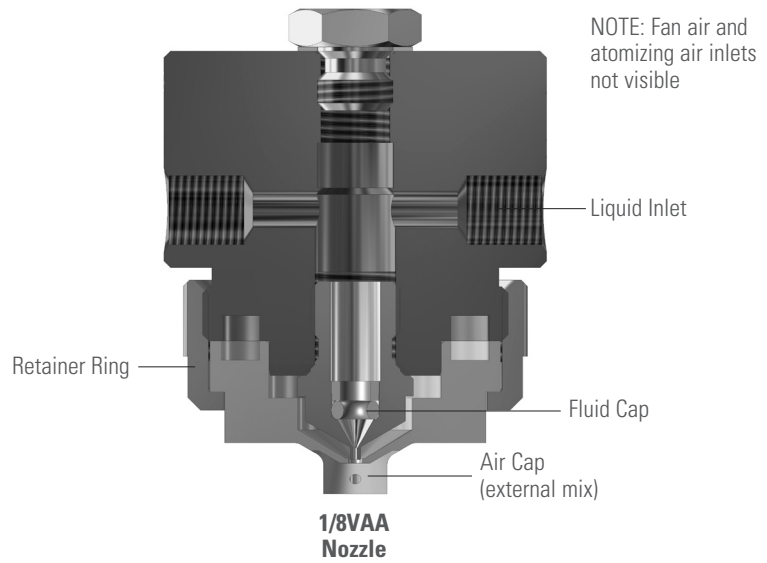


**OVERVIEW: VARIABLE SPRAY NOZZLE SERIES**

- Variable spray nozzles provide uniform spray distribution, even when spraying viscous liquids
- Independent control of liquid, atomizing air and fan air pressures make it possible to fine-tune flow rate, drop size, spray distribution and coverage
- The air atomizing line can be adjusted to vary spray drop size without affecting liquid flow rates
- Additional liquid inlet/outlet port allows for recirculation that effectively maintains the flow of viscous liquids



Independent control of liquid, fan air and atomizing air provides maximum control of spray performance.

**QUICK REFERENCE GUIDE**

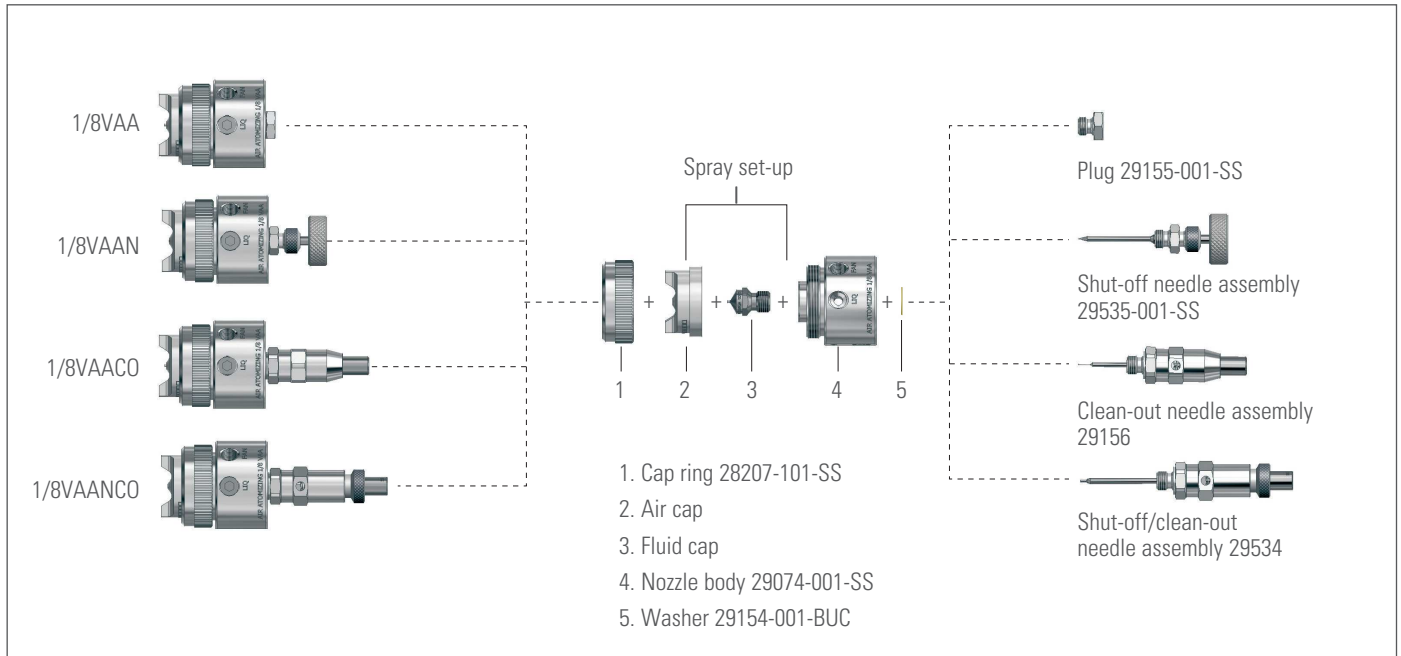
Product Number	Inlet Connection Size (in.)	Max Flow	Max Temp (liquid)	Spray Set-Ups
<b>VAA Series</b>	1/8 (F) NPT or BSPT atomizing air, fan air and liquid	49.8 gph (189 lph)	200°F (93°C)	SUV set-ups (pages D55)

**PLACING YOUR ORDER**

Call **1.800.95.SPRAY** for application assistance or to place an order.

FOR DETAILED SPRAY SET-UP PERFORMANCE DATA  
**SEE SECTION D**

VARIABLE SPRAY NOZZLE OPTIONS



1/8VAA SERIES NOZZLES

- Flow rates up to 49.8 gph (189 lph)
- Stainless steel construction
- With fan air in operation, a flat spray pattern is produced; a round spray pattern is produced when fan air is off
- Atomizing air line can be adjusted to vary spray drop size without affecting flow rate
- Dual liquid inlets allow recirculating of sprayed fluid
- Anti-bearding spray set-ups are available



1/8VAA Nozzle

1/8VAA NOZZLE OPTIONS

 <p><b>1/8VAAN</b> – Manual shut-off needle to stop liquid flow</p>	 <p><b>1/8VAACO</b> – Manual clean-out needle to clear obstructions from the fluid orifice</p>	 <p><b>1/8VAANCO</b> – Combination shut-off/clean-out needle direction</p>
--	---	--