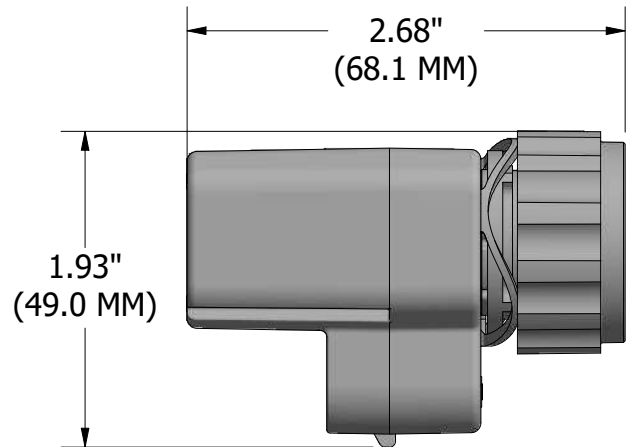


# e-ChemSaver<sup>®</sup> ES Valve

## FEATURES:

- 24 VOLT ELECTRIC SOLENOID SHUTOFF VALVE
- VALVE IS NORMALLY CLOSED FOR SAFETY
- NOT SUITED FOR USE IN PWM APPLICATIONS
- MAXIMUM 100 PSI (7 BAR) SPRAYING PRESSURE AT MINIMUM VOLTAGE (12V)
- 0.7 GPM (2.8 LPM) AT 5 PSI (0.34 BAR) PRESSURE DROP
- 1.1 GPM (4.1 LPM) AT 10 PSI (0.69 BAR) PRESSURE DROP
- ALL WETTABLE PARTS ARE STAINLESS STEEL, PEEK AND VITON<sup>®</sup> EQUIVALENT
- CURRENT DRAW OF 0.23 AMPS (5.6 WATTS) AT 24 VOLTS
- RESPONSE TIME: 10-25 ms
- VOLTAGE ENERGIZES THE SOLENOID COIL TO OPEN THE VALVE
- REMOVAL OF POWER ALLOWS A SPRING TO CLOSE THE VALVE
- UNIVERSAL FITMENT OF ALL TEEJET<sup>®</sup> NOZZLE BODIES
- REQUIRES 98552 CABLE w/ 2-PIN FEMALE SUPERSEAL 1.5 CONNECTOR



NOTE: IT IS RECOMMENDED TO INCLUDE A LINE STRAINER OF 80 MESH OR FINER WITH ALL e-CHEMSAVER<sup>®</sup> ES VALVE APPLICATIONS

## WIRING CHART

PIN TERMINAL	WIRING
1	(+) POSITIVE
2	(-) NEGATIVE

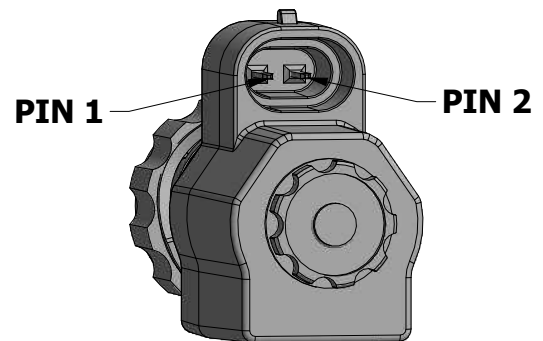
NOTE: (+) & (-) TERMINALS CAN BE INTERCHANGED.

## HOW TO ORDER: 116950- -24-

**TYPE**  
 BLANK = TEEJET<sup>®</sup> BODIES  
 7 = ARAG/HYPRO<sup>®</sup> BODIES

**VOLTAGE**  
 12 = 12VDC  
 24 = 24VDC

**CABLE LENGTH CODE**  
 BLANK = NO CABLE  
 05 = 0.5 METER (20")  
 15 = 1.5 METER (60")  
 30 = 3.0 METER (120")  
 60 = 6.0 METER (240")



98552-2-\_\_: CABLE (SEE DATA SHEET DS98552)

## DESCRIPTION:

TEEJET e-CHEMSAVER<sup>®</sup> ES  
 24V SOLENOID OPERATED  
 ELECTRIC SHUTOFF VALVE



REVISION NO.	1	Parts List No.	
REFERENCE:	09/01/21	DS116950-24	
SHEET:	1 OF 1	DWG SIZE:	A