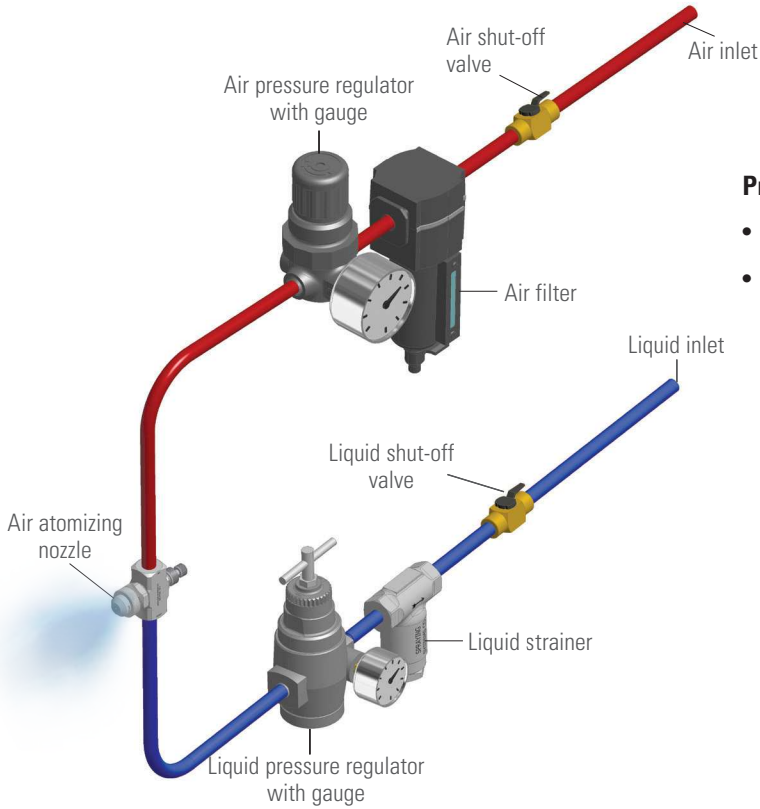


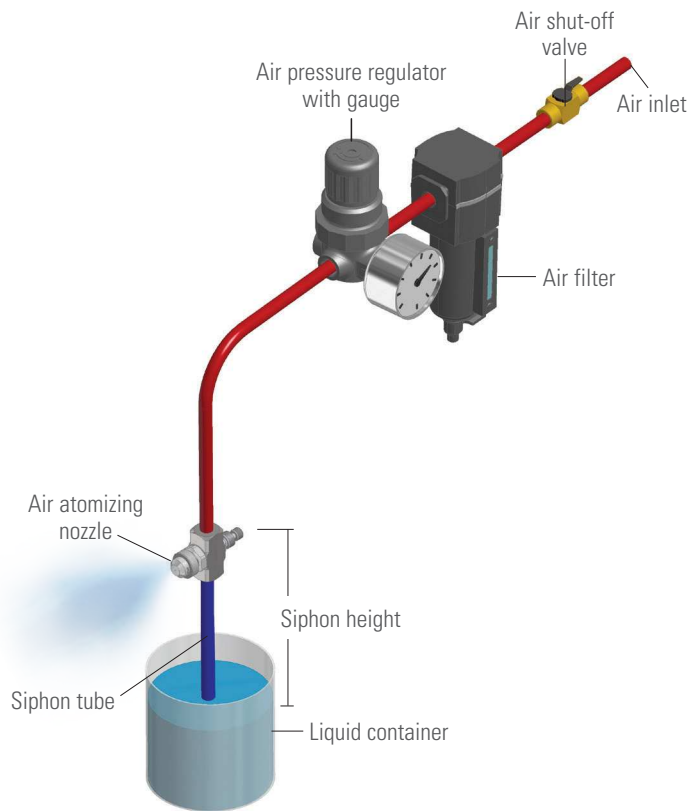
OVERVIEW: AIR ATOMIZING NOZZLE SET-UPS

Liquid can be supplied to the nozzle under pressure or it can be supplied through a liquid siphon or gravity-feed.



Pressure Spray Set-Ups

- Liquid is supplied to the nozzle under pressure
- Air and liquid can be externally or internally mixed to produce a completely atomized spray



Siphon/Gravity-Fed Spray Set-Ups

- Liquid is supplied via liquid siphon or is gravity-fed
- These set-ups are designed to draw liquid through the feed line into the air flow where it is atomized

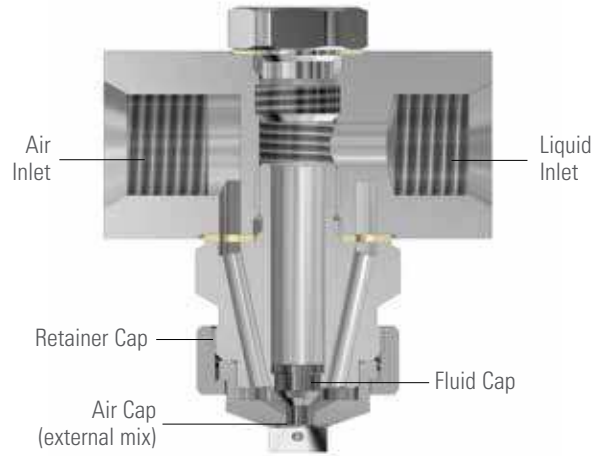
PLACING YOUR ORDER

Call **1.800.95.SPRAY** for application assistance or to place an order.

FOR DETAILED SPRAY SET-UP PERFORMANCE DATA
SEE SECTION D

OVERVIEW: J AND JJ SERIES NOZZLES

- Liquid and compressed air enter the nozzle body and are mixed by the spray set-up to produce a finely atomized spray pattern
- Spray set-ups, consisting of an air cap and a fluid cap, can mix the fluids either internally or externally
- Hundreds of spray set-ups are available to produce cone and flat spray patterns
- A wide variety of nozzle bodies are available for convenient mounting and positioning
- JJ compact nozzle bodies are available for applications where space is limited
- Models available with clean-out needles, shut-off needles, swivels and strainers to optimize performance



1/4J Nozzle

Air and liquid enter the air atomizing nozzle body and are combined by the spray set-up to generate finely atomized droplets.

QUICK REFERENCE GUIDE

Product Number	Inlet Connection Size (in.)	Max Flow	Max Temp (liquid)	Spray Set-Ups
1/8J and 1/4J Series	1/8 , 1/4 (F) NPT or BSPT	72 gph (273 lph)	400°F (204°C)	1/8J and 1/4J set-ups (page D30)
1/8JJ Series	1/8 (F) NPT or BSPT	33.2 gph (126 lph)	400°F (204°C)	1/8JJ set-ups (page D33)
1/2J Series	1/2 (F) NPT or BSPT	306 gph (1158 lph)	400°F (204°C)	1/2J set-ups (page D40)
1J Series	1 (F) NPT or BSPT	29 gpm (110 lpm)	400°F (204°C)	1J set-ups (page D44)



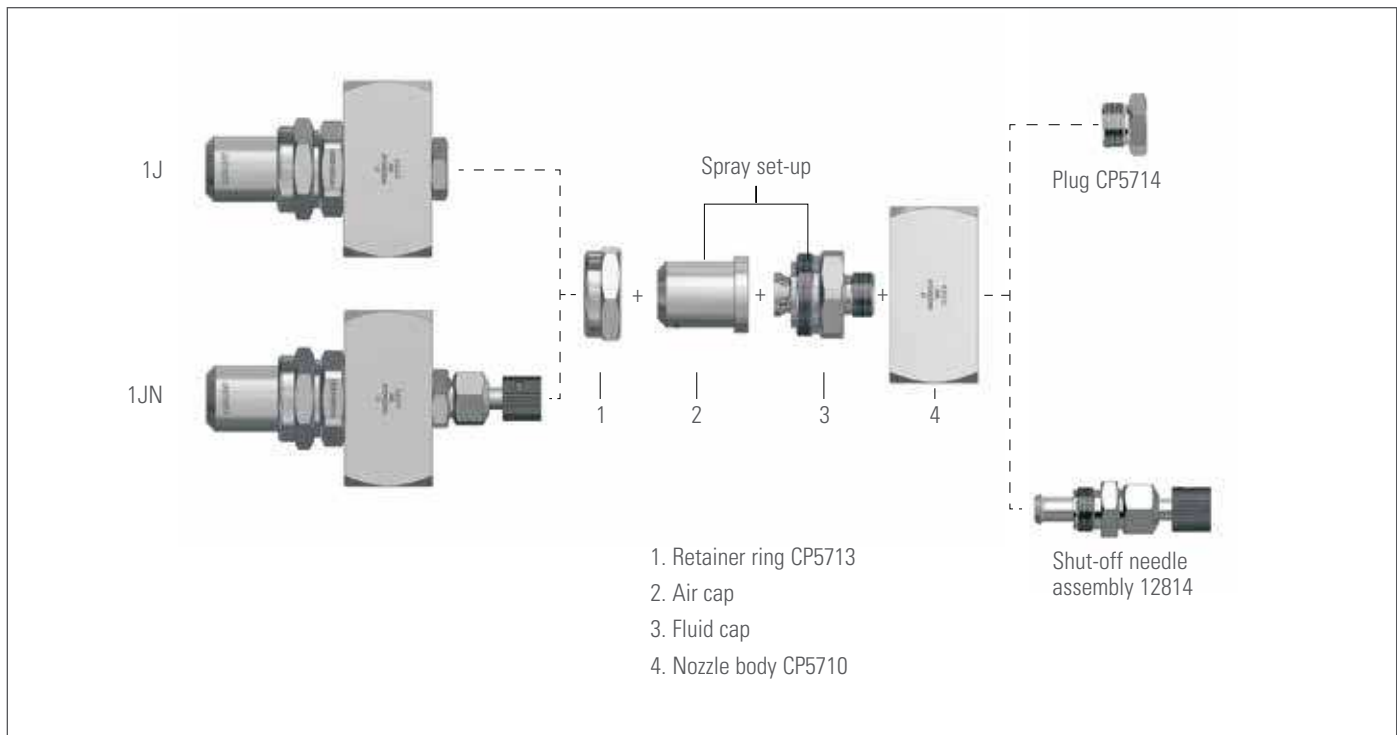
1J SERIES NOZZLES

- J Series nozzles consist of a nozzle body and a spray set-up
- A wide variety of spray set-ups are available with flow rates up to 29 gpm (110 lpm) in various spray patterns
- Basic 1J bodies have liquid and air inlets on opposing sides of the nozzle bodies. Nozzle bodies include a removable plug so needle assemblies can be added in the future
- Nickel-plated brass or stainless steel construction



1J Nozzle

1J NOZZLE OPTIONS



PLACING YOUR ORDER

Call **1.800.95.SPRAY** for application assistance or to place an order.

FOR DETAILED SPRAY SET-UP PERFORMANCE DATA
SEE SECTION D