



Spraying Systems Co.®
Experts in Spray Technology

PULSAJET® AUTOMATIC SPRAY NOZZLE

SUPERIOR ACCURACY AND SPRAY UNIFORMITY IN ZONE 1 HAZARDOUS LOCATIONS REQUIRING FOOD CONTACT MATERIALS



BENEFITS

- **High-speed capability** – up to 10,000 cycles per minute – enables faster line speeds and increased productivity
- **Ability to safely spray ethyl alcohol** (ethanol) in zone 1 rated hazardous areas
- Provides **design flexibility** in high-speed or low-capacity spray applications
- Wetted materials meet **FDA and EC 1935/2005** requirements for food contact.
- Certified by **FM Approvals**
- **Precision Spray Control (PSC)** can be achieved when Pulsajet nozzles are used with an AutoJet® spray controller. Flow rate is controlled very precisely by cycling nozzles on and off very quickly at a controlled frequency to provide:
 - Unmatched spray placement accuracy with minimal overspray
 - Consistent, uniform application of fluids
 - Reduced fluid consumption and scrap due to over- and under-application problems
 - Almost instantaneous change of flow rate
 - Low flow rates – comparable to the flow rates of air atomizing nozzles – can be generated with larger, clog-resistant spray tips and eliminate the need for compressed air in some applications

For more information about PSC visit spray.com/psc

IDEAL FOR

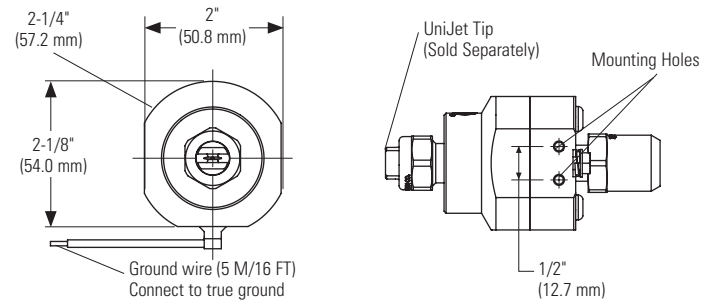
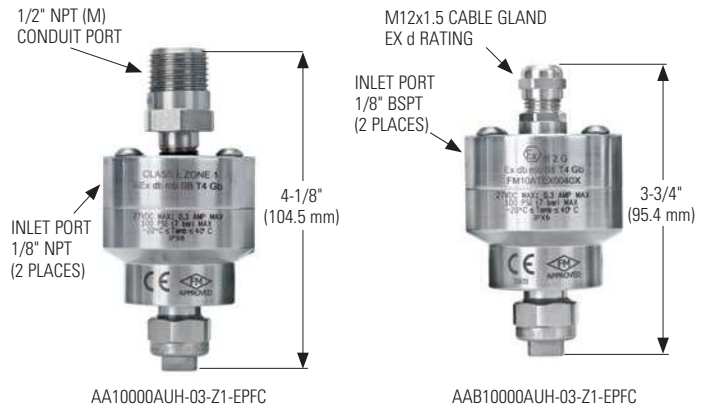
- Coating
- Dispensing





AA1000AUH-03-Z1-EPFC PULSAJET® AUTOMATIC SPRAY NOZZLE

SPECIFICATIONS

Electrically-actuated hydraulic atomizing valve
Cycle duration from 6 ms (.006 seconds) to continuous spray
Accepts UniJet® tip sizes up to -03 capacity. Request our Industrial Spray Products Catalog for standard UniJet spray tip specifications.
Built-in mounting bracket accepts #8-32 UNC or M4 threaded screws
Wetted parts are constructed of stainless steel, food contact compliant PEEK, PPS and EPDM for excellent chemical resistance to ethyl alcohol (ethanol)
Complies with appropriate EC (ATEX and CE) and U.S. Zone safety directives for flameproof enclosure and encapsulation
Maximum cycles per minute: 10,000 with AutoJet Spray Controller
Power: 27 VDC max. actuation, 0.3 AMP fuse
Inlet connection: 1/8" NPT or BSPT Dual ports allow flow through operation or fluid recirculation
Maximum operating pressure: 100 psi (7 bar)
Maximum flow rates: .47 gpm at 100 psi (1.8 l/min at 7 bar)
Ambient temperature range: -4°F to 104°F (-20°C to 40°C)
Weight: 30 oz. (.85 kg)



ORDER NUMBERS AND RATINGS

(NPT) AA1000AUH-03-Z1-EPFC	(BSPT) AAB1000AUH-03-Z1-EPFC
Class I, Zone 1 AEx db mb IIB T4 Gb 	Ex II 2 G Ex db mb IIB T4 Gb FM10ATEX0040X 



Spraying Systems Co.®
Experts in Spray Technology

North Avenue and Schmale Road, P.O. Box 7900, Wheaton, IL 60187-7901 USA

Tel: 1.800.95.SPRAY Intl. Tel: 1.630.665.5000
Fax: 1.888.95.SPRAY Intl. Fax: 1.630.260.0842

www.spray.com



Bulletin No. 723A Printed in the U.S.A. ©Spraying Systems Co. 2021