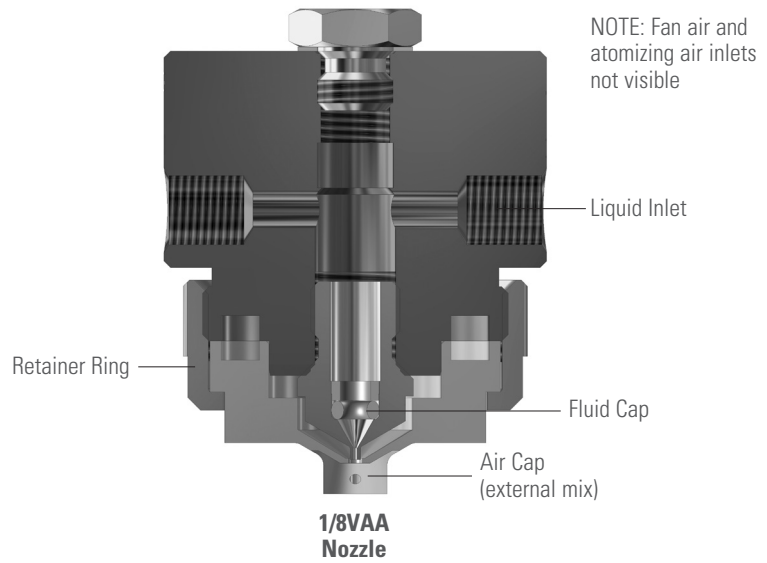


OVERVIEW: VARIABLE SPRAY NOZZLE SERIES

- Variable spray nozzles provide uniform spray distribution, even when spraying viscous liquids
- Independent control of liquid, atomizing air and fan air pressures make it possible to fine-tune flow rate, drop size, spray distribution and coverage
- The air atomizing line can be adjusted to vary spray drop size without affecting liquid flow rates
- Additional liquid inlet/outlet port allows for recirculation that effectively maintains the flow of viscous liquids



Independent control of liquid, fan air and atomizing air provides maximum control of spray performance.

QUICK REFERENCE GUIDE

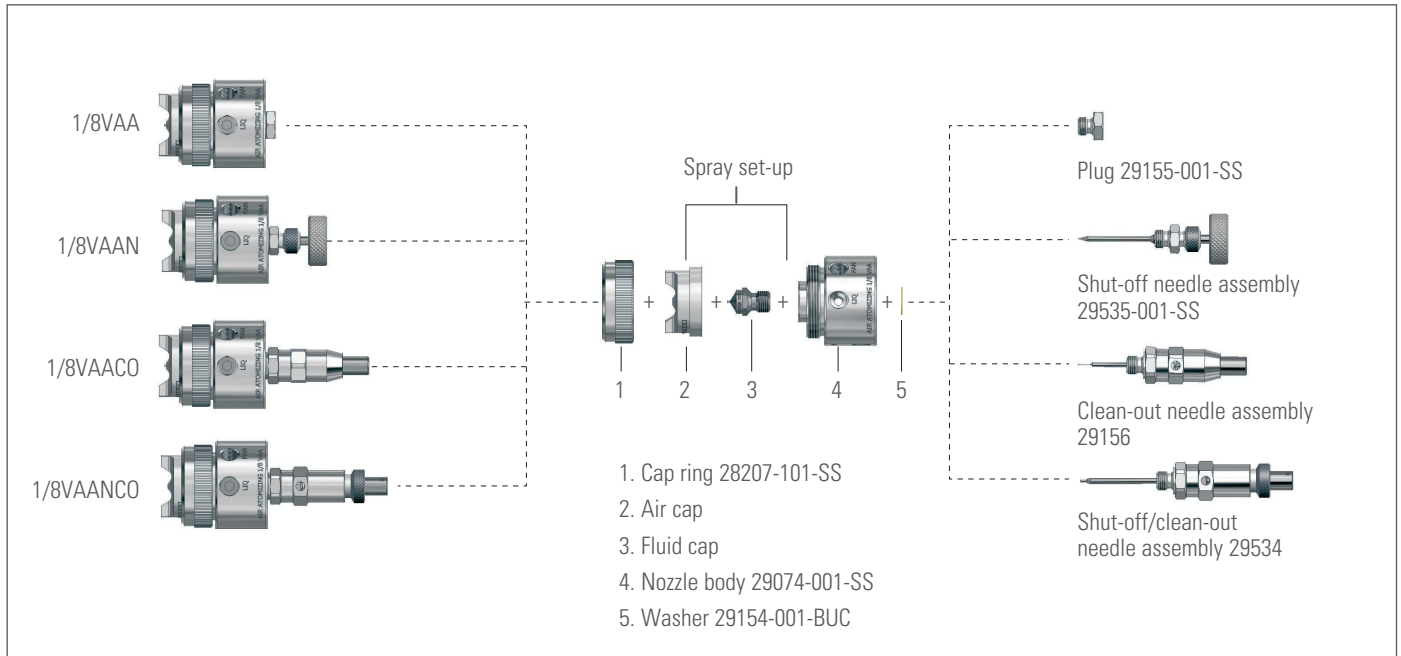
Product Number	Inlet Connection Size (in.)	Max Flow	Max Temp (liquid)	Spray Set-Ups
VAA Series	1/8 (F) NPT or BSPT atomizing air, fan air and liquid	49.8 gph (189 lph)	200°F (93°C)	SUV set-ups (pages D55)

PLACING YOUR ORDER

Call **1.630.665.5000** for application assistance or to place an order.

FOR DETAILED SPRAY SET-UP PERFORMANCE DATA
SEE SECTION D

VARIABLE SPRAY NOZZLE OPTIONS



1/8VAA SERIES NOZZLES

- Flow rates up to 49.8 gph (189 lph)
- Stainless steel construction
- With fan air in operation, a flat spray pattern is produced; a round spray pattern is produced when fan air is off
- Atomizing air line can be adjusted to vary spray drop size without affecting flow rate
- Dual liquid inlets allow recirculating of sprayed fluid
- Anti-bearding spray set-ups are available



1/8VAA Nozzle

1/8VAA NOZZLE OPTIONS

 <p>1/8VAAN – Manual shut-off needle to stop liquid flow</p>	 <p>1/8VAACO – Manual clean-out needle to clear obstructions from the fluid orifice</p>	 <p>1/8VAANCO – Combination shut-off/clean-out needle direction</p>
--	---	--