

**TANKJET 18250A TANK CLEANING NOZZLE  
FEATURES AND BENEFITS**

- Three flat sprays mounted in a rotating spray head are driven by the flow of the cleaning liquid
- Precisely positioned orifices provide complete coverage of all interior surfaces
- Constructed for long-wear life using corrosion-resistant materials that also tolerate high-temperature operation
- Using single-pass or particulate-free cleaning liquid optimizes cleaning performance

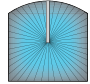
**SPECIFICATIONS**



TankJet 18250A Tank Cleaning Nozzle	
Max. tank diameter:	8 ft. (2.4 m)
Operating principle:	Fluid-driven reactionary force
Flow rate:	10.5 to 55 gpm (48 to 205 lpm)
Operating pressure:	10 to 60 psi (0.7 to 4.1 bar)
Max. temperature:	350°F (177°C)
Materials:	Bearing retainers – Kolsterised stainless steel Sleeves – 50% stainless steel PTFE All other metallurgy – 316 stainless steel with Ryton® (polyphenylene sulfide)
Inlet connection:	3/4" NPT or BSPT (F)
Optional accessories:	Strainers, recommended mesh size: 200 (74 micron) See page G2

**IDEAL FOR CLEANING:**

- Barrels
- Chemical tanks
- Food vats
- Processing vessels

**R**  
RINSING

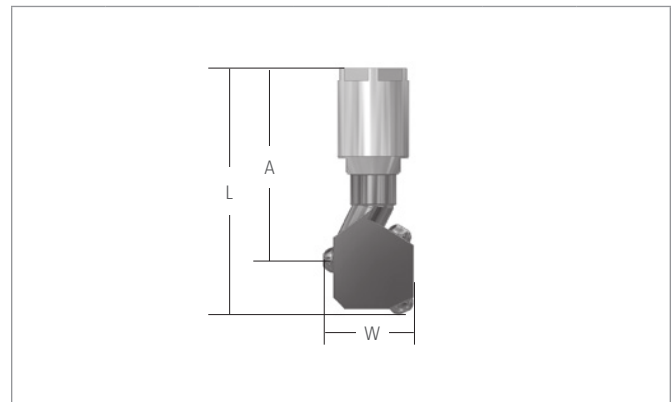
**SPRAY  
COVERAGE**  
360°  


**MOUNTING  
OPTIONS**  
Vertical  



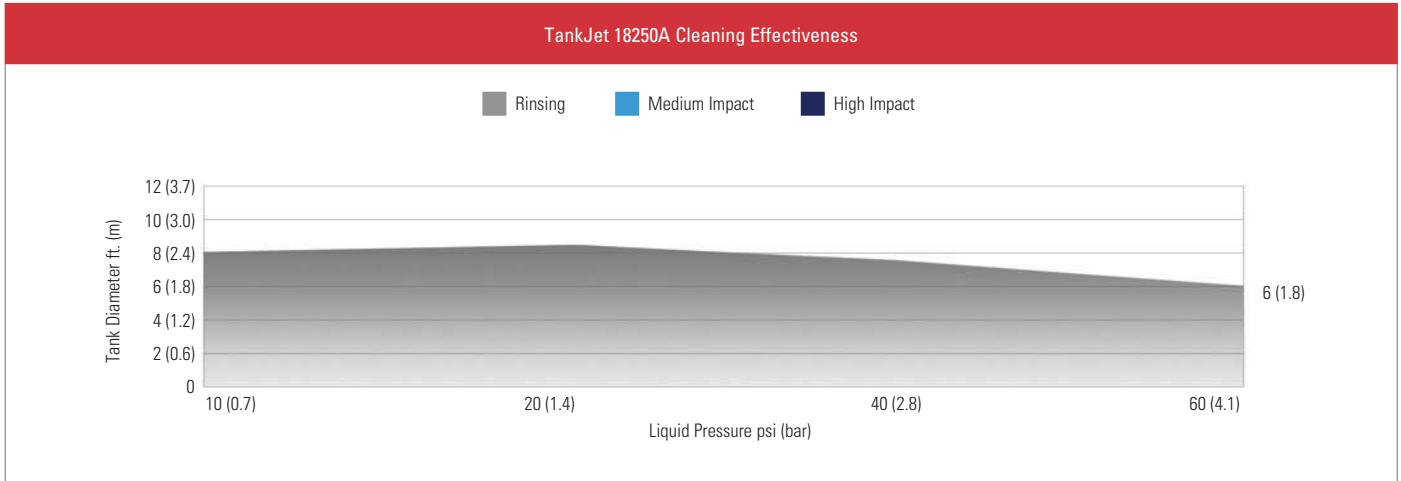
TankJet 18250A  
tank cleaning nozzle

**DIMENSIONS AND WEIGHTS**



Model	L in. (mm)	W in. (mm)	A in. (mm)	Hex in. (mm)	Min. Tank Opening in. (mm)	Weight lbs. (kg)
18250A	5-3/4 (146)	2-3/16 (55.6)	4-13/16 (105.4)	1-5/8 (34.9)	2-3/8 (60.3)	1.5 (0.68)

**PERFORMANCE DATA**



Model 18250A		Liquid Flow Capacity gpm (lpm)					
Bearings and Races Material	Capacity Size	10 psi (0.7 bar)	20 psi (1.4 bar)	30 psi (2.1 bar)	40 psi (2.8 bar)	50 psi (3.4 bar)	60 psi (4.1 bar)
316SS	21	10.5 (48)	14.8 (59)	18.2 (68)	21 (76)	23 (83)	26 (96)
316SS	45	23 (103)	32 (126)	39 (145)	45 (162)	50 (178)	55 (205)

**ORDERING INFORMATION**

**TANKJET 18250A TANK CLEANING NOZZLE**

Model\*

—

Bearings and Races Material

—

Capacity Size

—

Body Material Code

EXAMPLE

18250A

—

316SS

—

45

—

316SS

\*Add B prior to the model for BSPT connections.

For lances, mounting kits, adapters and more, see page G6