

**TANKJET 9 TANK CLEANING NOZZLES
FEATURES AND BENEFITS**

- Multiple flat spray nozzles are mounted in a rotating spray head that is driven by the flow of the cleaning liquid
- Simple and reliable, with no ball bearings, tank cleaners operate effectively in any position, vertical or horizontal
- Well-suited to clean-in-place and sanitary applications, chemical distribution and passivation
- Offered in three versions for medium-size tanks:
 - TankJet 9-A features two flat side sprays, each covering 175°, see page E14
 - The TankJet 9-B and 9-C versions each have six flat sprays and provide coverage of the entire tank

TankJet 9-A tank cleaning nozzle, see page E14



TankJet 9-B tank cleaning nozzle



TankJet 9-C tank cleaning nozzle

R
RINSING

SPRAY COVERAGE
TJ9-B, TJ9-C
360°

MOUNTING OPTIONS

Vertical	↑	↓
Horizontal	←	→
45° Up	↖	↗
45° Down	↘	↙

SPECIFICATIONS

Tank Cleaning Nozzle	TJ9-B	TJ9-C
Max. tank diameter:	12 ft. (3.7 m)	16 ft. (4.9 m)
Operating principle:	Fluid-driven reactionary force	Fluid-driven reactionary force
Flow rate:	5 to 17 gpm (18.9 to 64 lpm)	12 to 38 gpm (45 to 144 lpm)
Operating pressure:	10 to 120 psi (0.7 to 8.3 bar)	10 to 120 psi (0.7 to 8.3 bar)
Max. temperature:	190°F (88°C)	190°F (88°C)
Materials:	Bearings – Carbon-filled PTFE fluoropolymer All other metallurgy – 316 stainless steel	Bearings – Carbon-filled PTFE fluoropolymer All other metallurgy – 316 stainless steel
Inlet connection:	1/2" NPT or BSPT (F)	3/4" NPT or BSPT (F)
Optional accessories:	Strainers, recommended mesh size: 20 (840 micron) See page G2	

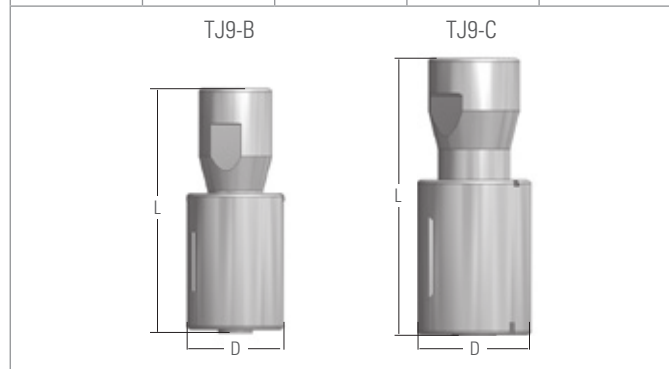
For lances, mounting kits, adapters and more, see page G6

IDEAL FOR CLEANING:

- Brewery tanks
- Chemical containers
- Drums and kegs
- Food processing tanks
- Pharmaceutical tanks
- Wine barrels and vats

DIMENSIONS AND WEIGHTS

Nozzle	L in. (mm)	D (Dia.) in. (mm)	Min. tank opening in. (mm)	Weight lbs. (kg)
TJ9-B	3.5 (88)	1.38 (35)	1.5 (38)	.58 (.26)
TJ9-C	4 (102)	1.63 (42)	1.75 (44)	.96 (.44)



Additional sizes available: See page E12 – 3/8 in. conn.



PERFORMANCE DATA



Model	Type	Liquid Flow Capacity gpm (lpm)							
		10 psi (0.7 bar)	30 psi (2.1 bar)	50 psi (3.5 bar)	70 psi (4.8 bar)	90 psi (6.2 bar)	100 psi (6.9 bar)	110 psi (7.6 bar)	120 psi (8.3 bar)
TJ9	B	5.0 (18.9)	8.0 (30)	11.0 (42)	13.0 (49)	14.0 (53)	15.0 (57)	16.0 (61)	17.0 (64)
	C	12.0 (45)	20 (76)	25 (95)	30 (114)	33 (123)	35 (133)	37 (140)	38 (144)

ADDITIONAL SIZES AVAILABLE
TankJet 9-A see page E14

ORDERING INFORMATION
 TANKJET 9-B AND 9-C TANK CLEANING NOZZLE



* Leave blank for NPT connection or insert B for BSPT connection.

**TANKJET 9 TANK CLEANING NOZZLE
FEATURES AND BENEFITS**

- Multiple flat spray nozzles are mounted in a rotating spray head that is driven by the flow of the cleaning liquid
- Simple and reliable, with no ball bearings, tank cleaners operate effectively in any position, vertical or horizontal
- Well-suited to clean-in-place and sanitary applications, chemical distribution and passivation
- Offered in three versions for medium-size tanks:
 - TankJet 9-A features two flat side sprays, each covering 175°
 - The TankJet 9-B and 9-C versions each have six flat sprays and provide coverage of the entire tank



TankJet 9-A tank cleaning nozzle



TankJet 9-B tank cleaning nozzle, see page D20



TankJet 9-C tank cleaning nozzle, see page D20



SPRAY COVERAGE

TJ9-A
2 x 175°



MOUNTING OPTIONS

Vertical	↑	↓
Horizontal	←	→
45° Up	↖	↗
45° Down	↙	↘

SPECIFICATIONS

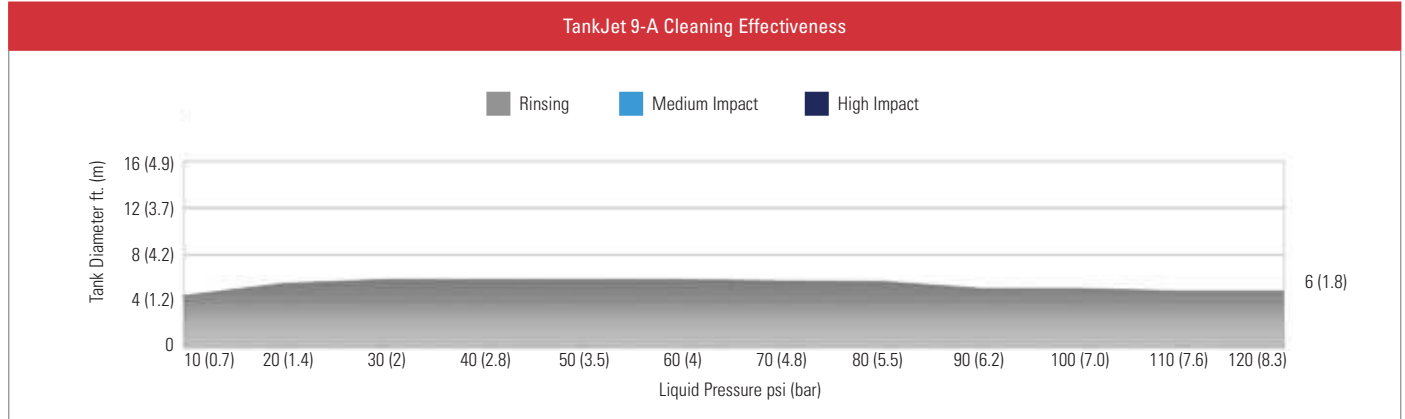
TankJet 9-A Tank Cleaning Nozzle	
Max. tank diameter:	6 ft. (1.8 m)
Operating principle:	Fluid-driven reactionary force
Flow rate:	1.3 to 5 gpm (4.9 to 18.9 lpm)
Operating pressure:	10 to 120 psi (0.7 to 8.3 bar)
Max. temperature:	190°F (88°C)
Materials:	Bearings – Carbon filled PTFE fluoropolymer All other metallurgy – 316 stainless steel
Inlet connection:	3/8" NPT or BSPT (F)
Optional accessories:	Strainers, recommended mesh size: 20 (840 micron) See page G2

IDEAL FOR CLEANING:

- Brewery tanks
- Chemical containers
- Drums and kegs
- Food processing tanks
- Pharmaceutical tanks
- Wine barrels and vats

For lances, mounting kits, adapters and more, see page G6

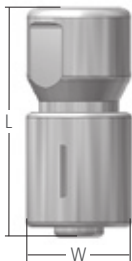
PERFORMANCE DATA



Model	Model Type	Liquid Flow Capacity gpm (lpm)							
		10 psi (0.7 bar)	30 psi (2.1 bar)	50 psi (3.4 bar)	70 psi (4.8 bar)	90 psi (6.2 bar)	100 psi (7.0 bar)	110 psi (7.6 bar)	120 psi (8.3 bar)
TJ9	A	1.3 (4.9)	2.5 (9.5)	3.0 (11.4)	4.0 (15.1)	4.5 (17)	4.7 (17.8)	4.9 (18.5)	5.0 (18.9)

ADDITIONAL SIZES AVAILABLE
TankJet 9-B & 9-C see page D20

DIMENSIONS AND WEIGHTS

TankJet 9 Tank Cleaning Nozzle	L in. (mm)	W in. (mm)	Min. tank opening in. (mm)	Weight lbs. (kg)
	2.31 (59)	1.06 (27)	1.25 (32)	0.34 (0.15)

Additional sizes available:
 Page D20 – 1/2 and 3/4 in. conn.

ORDERING INFORMATION
TANKJET 9-A TANK CLEANING NOZZLE

Model

Inlet Conn.*

—

Type

EXAMPLE

TJ9

—

A

* Leave blank for NPT connection or insert B for BSPT connection.