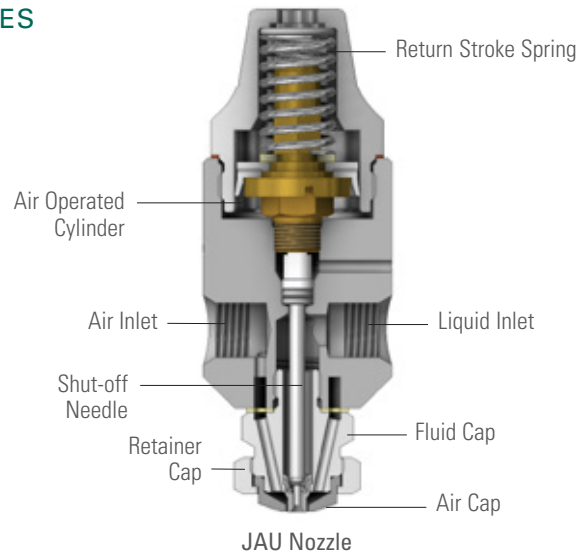


OVERVIEW: AIR-ACTUATED AIR ATOMIZING NOZZLES

- Compressed air is used to control air cylinder operation for accurate intermittent spraying (up to 180 cycles per minute) and also for liquid atomization
- Wide variety of nozzle bodies is available for convenient mounting and positioning
- Models available with clean-out needles, shut-off needles, swivels and strainers to optimize performance
- Liquid lines can be pressure-fed, siphon-fed or gravity-fed
- Spray set-ups, consisting of an air cap and a fluid cap can mix the fluids either internally or externally to produce a fine spray pattern
- Dozens of Drip Free™ air atomizing spray set-ups available for a wide range of flow capacity and spray patterns



JAU air atomizing nozzles mix compressed air and liquid to form a finely atomized spray. An air-actuated internal cylinder with a return stroke spring cycles the nozzle up to 180 times per minute.

QUICK REFERENCE GUIDE

Product Number	Inlet Connection Size (in.)	Max Liquid Pressure	Min Air Cylinder Pressure	Max Flow	Max Temp (liquid)	Max Speed	Spray Set-Ups
JAU	1/4 NPT or BSPT (air and liquid)	125 psi (8.6 bar)	30 psi (2.1 bar)	1.2 gpm (4.5 lpm)	160°F (71°C)	180 cpm	1/4J set-ups (page D24)
1/8JJAU	1/8 NPT or BSPT (air and liquid)	125 psi (8.6 bar)	30 psi (2.1 bar)	0.55 gpm (2.1 lpm)	160°F (71°C)	180 cpm	1/8JJ set-ups (page D35)
VX-70	1/4 NPT or BSPT (air, fan air and liquid)	100 psi (7 bar)	45 psi (3 bar)	1.3 gpm (4.9 lpm)	180° F (82° C)	250 cpm	VX set-ups (pages D66)
VX-72	1/4 NPT or BSPT (air, fan air and liquid)	100 psi (7 bar)	45 psi (3 bar)	1.3 gpm (4.9 lpm)	180° F (82° C)	250 cpm	VX set-ups (pages D66)
VX-80	1/4 NPT or BSPT (air, fan air and liquid)	100 psi (7 bar)	45 psi (3 bar)	1.3 gpm (4.9 lpm)	180° F (82° C)	250 cpm	VX set-ups (pages D66)
VX-82	1/4 NPT or BSPT (air, fan air and liquid)	100 psi (7 bar)	45 psi (3 bar)	1.3 gpm (4.9 lpm)	180° F (82° C)	250 cpm	VX set-ups (pages D66)
1/8VAU	1/8 NPT or BSPT (atom. air, fan air and liquid)	90 psi (6.2 bar)	35 psi (2.4 bar)	0.83 gpm (3.15 lpm)	200°F (93°C)	180 cpm	SUV set-ups (page D62)
1/4VMAU	1/4 NPT or BSPT, or sanitary flange (atom. air, fan air and liquid)	90 psi (6.2 bar)	35 psi (2.4 bar)	1.22 gpm (4.62 lpm)	200°F (93°C)	180 cpm	SUVM set-ups (page D59)
10535-1/4J	1/4 NPT or BSPT (air and liquid)	125 psi (8.6 bar)	30 psi (2.1 bar)	1.2 gpm (4.5 lpm)	400°F (204°C) liquid 150°F (66°C) air	180 cpm	1/4J set-ups (page D24)
10536-1/2J	1/2 NPT or BSPT (air and liquid)	125 psi (8.6 bar)	30 psi (2.1 bar)	5.1 gpm (19.3 lpm)	400°F (204°C) liquid 150°F (66°C) air	180 cpm	1/2J set-ups (page D43)
D55500-JAU	1/8 NPT or BSPT (air and liquid)	43 psi (3 bar)	72 psi (5 bar)	0.42 gpm (1.6 lpm)	158°F (70°C)	600 cpm	1/4J or DSU set-ups (page D24 & D34)
D55500-JAUCO	1/8 NPT or BSPT (air and liquid)	58 psi (4 bar)	72 psi (5 bar)	0.42 gpm (1.6 lpm)	158°F (70°C)	300 cpm	1/4J or DSU set-ups (page D24 & D34)

JAUA SERIES NOZZLES

- Flow rates up to 1.2 gpm (4.5 lpm)
- Drip Free™ set-ups provide complete shut-off
- Nickel-plated brass or stainless steel construction



JAUA
Nozzle

JAUA NOZZLE OPTIONS



JAUACO – Clean-out needle operates with every spray cycle to reduce clogging



JAUAN – Knurled head screw control permits manual nozzle shut-off without disturbing operation of other nozzles on a manifold



JAUAD – Single air inlet for cylinder and atomizing air



JAUADN – Single air inlet for cylinder and atomizing air. Includes manual shut-off assembly to temporarily block liquid flow



JAUAPM – Plate-mounted nozzle with all inlet connections at the rear of the mounting plate



JAUAMCO – Metering knob provides precise adjustment of liquid flow in 5% increments from zero to 100%

MORE OPTIONS

JAUAPMCO – Combines clean-out needle for reduced clogging with convenience of plate-mounting

1/8JJAU SERIES NOZZLES

- Compact design ideal where space is limited
- Flow rates up to 0.55 gpm (2.1 lpm)
- Drip Free™ set-ups provide complete shut-off
- Nickel-plated brass or stainless steel construction



**1/8JJAU
Nozzle**

1/8JJAU NOZZLE OPTIONS



14700-1/8JJAU – Knurled head screw control permits manual nozzle shut-off without disturbing operation of other nozzles on a manifold



14675-1/8JJAU – Single air inlet for cylinder and atomizing air



16860-1/8JJAU – Sprays at a 45° angle from nozzle inlet axis



38499-1/8JJAU – Uses 1/4J spray set-ups.



17690-1/8JJAU – Available with extensions up to 18" (457 mm)



49660-1/8JJAU – Available with extensions and either 45° or 90° spray direction from nozzle body

MORE OPTIONS

1/8JJAUMCO – Metering knob provides precise adjustment of liquid flow in 5% increments from zero to 100%

16883-1/8JJAU – Single air inlet for cylinder and atomizing air. Sprays at a 45° angle from nozzle inlet axis

PLACING YOUR ORDER

Call 1.630.665.5000 for application assistance or to place an order.

FOR DETAILED SPRAY SET-UP PERFORMANCE DATA
SEE SECTION D



AIR-ACTUATED AIR ATOMIZING NOZZLE OPTIONS

VX Variable Spray Series

- Flow rates from 0.013 gpm (.05 lpm) to 1.3 gpm (4.9 lpm)
- Independent control of liquid, atomizing air and fan air
- Pre-set air cap indexing increments ensure repeatability
- Optional metering knobs to simplify manual adjustments to air and liquid volumes
- Integrated anti-bearding technology to resist buildup on the air cap
- Quick release mounting block for fast and easy nozzle change out
- Liquid recirculation reduces clogging
- VX-70 and VX-72 feature stainless steel and anodized aluminum construction
- VX-80 and VX-82 feature 316 stainless steel sanitary nozzle bodies and components in compliance with FDA and EU regulations

**VAU/VMAU Variable Spray Series**

- Flow rates up to 1.22 gpm (4.62 lpm)
- Independent control of liquid, fan air and atomizing air provides maximum control of spray coverage
- Dual liquid inlets allow recirculating of sprayed fluid
- VMAU offers modular construction for reduced maintenance time
- Stainless steel construction

**10535-1/4J**

- Flow rates up to 1.2 gpm (4.5 lpm)
- Self-contained air cylinder provides controlled intermittent spraying
- Drip Free spray set-ups provide complete shut-off
- Nickel-plated brass or stainless steel construction

**10536-1/2J**

- Flow rates up to 5.1 gpm (19.3 lpm)
- Self-contained air cylinder provides controlled intermittent spraying
- Drip Free spray set-ups provide complete shut-off
- Nickel-plated brass or stainless steel construction

**72100-1/8JJAU**

- Smallest automatic air atomizing nozzle available
- Flow rates up to 0.22 gpm (0.83 lpm)
- Less than 1.5" (38 mm) in length; 1.2 oz. (34 g) net weight
- Optional clean-out needle reduces clogging
- Nickel-plated brass or stainless steel construction

**D55500-JAU/JAUCO**

- Block design 30% smaller than standard 1/4JAU
- Flow rates up to 0.42 gpm (1.6 lpm)
- Available with plate mount and wall mount options
- Drip Free™ spray set-ups provide complete shut-off
- Stainless steel construction
- D55500-JAUCO includes clean-out needle to reduce clogging

