

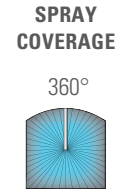
**TANKJET 6353 & 6353-MFP TANK CLEANING NOZZLE
FEATURES AND BENEFITS**

- TankJet 6353-MFP provides increased cleaning action by using 3/8" Maximum Free Passage (MFP) FullJet® nozzles; MFP design helps reduce clogging
- Simple and reliable with no moving parts
- Individual nozzles can be replaced with plugs to provide specific cleaning coverages
- Nozzles are easily removed for cleaning and inspection
- Can be installed in any position
- Special designs available for a wide range of coverages
- Special materials available on request

TankJet 6353-MFP tank cleaning nozzle



TankJet 6353 tank cleaning nozzle



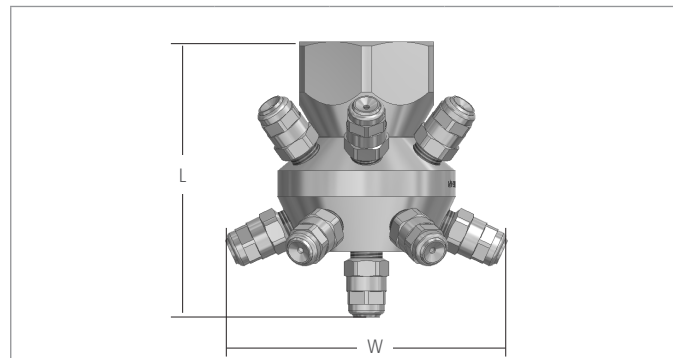
MOUNTING OPTIONS

Vertical	↑	↓
Horizontal	←	→
45° Up	↖	↗
45° Down	↙	↘

SPECIFICATIONS

TankJet 6353 Tank Cleaning Nozzles	Standard version	MFP version
Max. tank diameter:	10 ft. (3 m)	10 ft. (3 m)
Operating principle:	Stationary	Stationary
Flow rate:	8.9 to 60 gpm (35 to 230 lpm)	25 to 80 gpm (93 to 301 lpm)
Operating pressure:	20 to 50 psi (1.5 to 3.5 bar)	20 to 50 psi (1.5 to 3.5 bar)
Max. temperature:	212°F (100°C)	212°F (100°C)
Materials:	Brass, 303, or 316 stainless steel	Brass, 303 or 316 stainless steel
Inlet connection:	1-1/2" NPT or BSPT (F)	1-1/2" NPT or BSPT (F)
Optional accessories:	Strainers, recommended mesh size: 16 to 100 (1190 to 150 micron). See page G2	

DIMENSIONS AND WEIGHTS

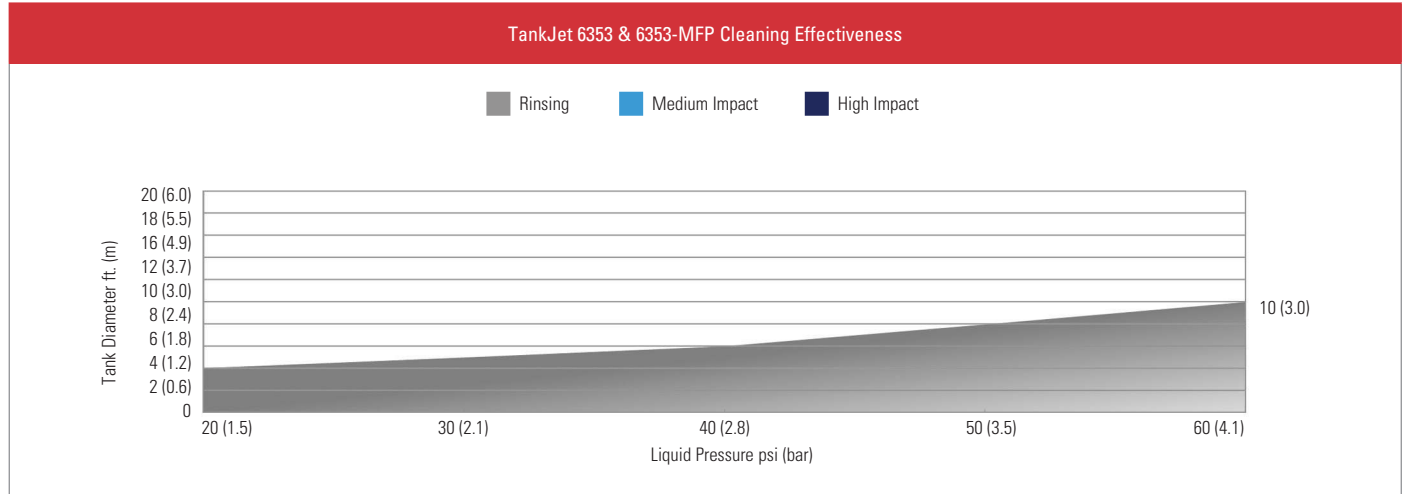


Nozzle	L in. (mm)	W in. (mm)	Min. Tank Opening in. (mm)	Weight lbs. (kg)
6353-1/4GG5	4-1/2 (114)	4-1/2 (114)	6 (152)	3.7 (1.6)
6353-1/4GG10				
6353-3/8GG22	4-1/2 (114)	5 (127)	6 (152)	4.5 (2.0)
6353-3/8HHMFP6014	4-1/2 (114)	4-1/2 (114)	6 (152)	3.7 (1.6)
6353-3/8HHMFP6022				
6353-3/8HHMFP6032				

IDEAL FOR CLEANING:

- Chemical processing
- Pulp chests tanks
- Process tanks

PERFORMANCE DATA



Nozzle Type	FullJet® Nozzle No.	Max. Free Passage in. (mm)	Liquid Flow Capacity gpm (lpm)			
			20 psi (1.5 bar)	30 psi (2.1 bar)	40 psi (2.8 bar)	50 psi (3.5 bar)
6353	1/4GG-5	0.050 (1.3)	8.9 (35)	10.8 (40)	12.3 (48)	13.6 (52)
	1/4GG-10	0.063 (1.6)	17.9 (70)	22 (80)	25 (97)	27 (104)
	3/8GG-22	0.109 (2.8)	39 (155)	48 (177)	55 (215)	60 (230)
	3/8HHMFP-6014	0.125 (3.2)	25 (93)	29 (108)	31 (118)	33 (123)
	3/8HHMFP-6022	0.156 (4.0)	38 (143)	44 (167)	49 (187)	54 (204)
	3/8HHMFP-6032	0.188 (4.8)	55 (206)	65 (246)	73 (276)	80 (301)

ORDERING INFORMATION

6353 TANK CLEANING NOZZLE

Nozzle Type

—

Nozzle No.

—

Material Code

—

Capacity Size

EXAMPLE

6353 — **1/4GG** — **316SS** **5**

6353-MFP TANK CLEANING NOZZLE

Nozzle Type

—

Nozzle No.

—

Material Code

—

Capacity Size

EXAMPLE

6353 — **3/8HHMFP** — **316SS** **14**

Add B prior to the inlet connection for BSPT connections.