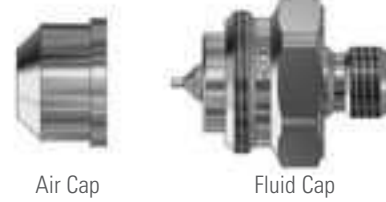


**OVERVIEW: AIR ATOMIZING SPRAY NOZZLE SET-UPS**

- Each spray set-up – consisting of an air cap and a fluid cap – provides a specific spray pattern, flow rate and spray coverage
- Within each nozzle series, spray set-ups are interchangeable, for versatile performance
- Air and liquid can be externally or internally mixed to produce a completely atomized spray
- Drip Free™ spray set-ups are used for all nozzle assemblies containing shut-off or clean-out needles to ensure positive liquid shut-off



Air Cap

Fluid Cap

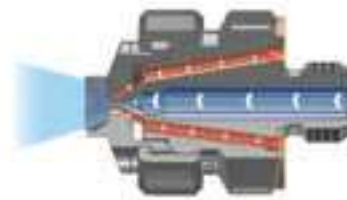
**Spray Set-Ups**

Each spray set-up consists of an air cap and a fluid cap.



**Internal Mix Set-Ups**

Liquid and air are mixed internally to produce an atomized spray. Liquid and gas streams are not independent – a change in air flow will affect the liquid flow.



**External Mix Set-Ups**

Liquid and air streams are mixed outside of the nozzle. Air and liquid flow can be controlled independently. Effective for higher viscosity liquids and abrasive suspensions.

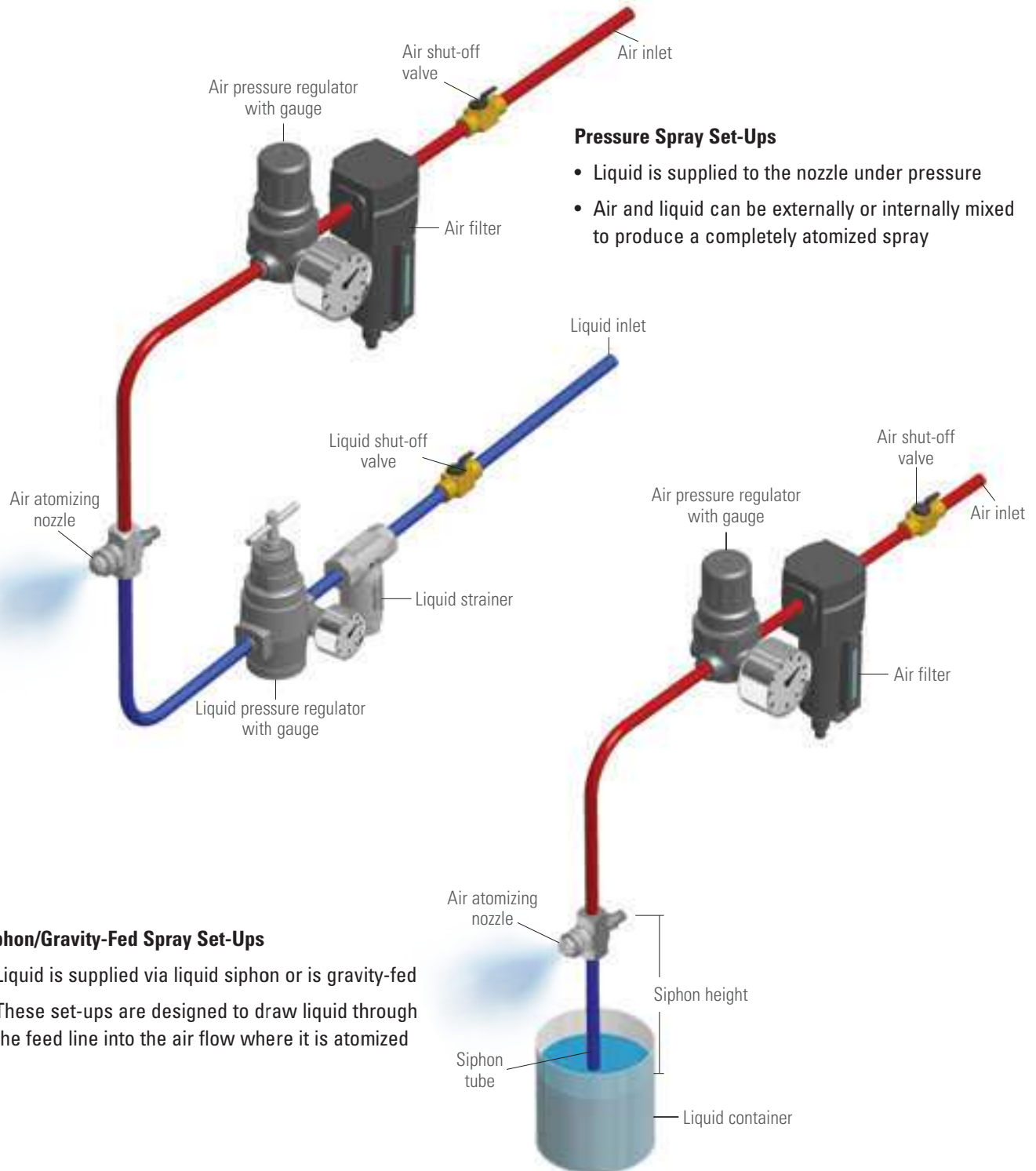
**QUICK REFERENCE GUIDE**

| Spray Set-Up                | Liquid Supply                        | Internal / External Mix | Spray Patterns   | Max Flow                | Page Number |
|-----------------------------|--------------------------------------|-------------------------|--|-------------------------|-------------|
| <b>1/8J and 1/4J Series</b> | Pressure Feed<br>Siphon/Gravity Feed | Both                    | <ul style="list-style-type: none"> <li>• Flat Spray</li> <li>• Deflected Flat Spray</li> <li>• Round Spray</li> <li>• Wide Angle Round Spray</li> <li>• 360° Circular Spray</li> </ul> | 72 gph<br>(272.5 lph)   | D22         |
| <b>1/8JJ Series</b>         | Pressure Feed<br>Siphon/Gravity Feed | Both                    | <ul style="list-style-type: none"> <li>• Flat Spray</li> <li>• Round Spray</li> <li>• Wide Angle Round Spray</li> <li>• 360° Circular Spray</li> </ul>                                 | 33.2 gph<br>(126 lph)   | D33         |
| <b>1/2J Series</b>          | Pressure Feed<br>Siphon/Gravity Feed | Both                    | <ul style="list-style-type: none"> <li>• Flat Spray</li> <li>• Round Spray</li> <li>• Wide Angle Round Spray</li> </ul>  | 306 gph<br>(1158 lph)   | D41         |
| <b>1J Series</b>            | Pressure Feed<br>Siphon/Gravity Feed | Both                    | <ul style="list-style-type: none"> <li>• Flat Spray</li> <li>• Round Spray</li> <li>• Wide Angle Round Spray</li> </ul>  | 29 gpm<br>(110 lpm)     | D45         |
| <b>QuickMist® Series</b>    | Pressure Feed<br>Siphon/Gravity Feed | Internal Mix Only       | <ul style="list-style-type: none"> <li>• Flat Spray</li> <li>• Round Spray</li> <li>• Wide Angle Round Spray</li> </ul>  | 26 gpm<br>(98 lpm)      | D50         |
| <b>SUV and SUVM Series</b>  | Pressure Feed Only                   | External Mix Only       | <ul style="list-style-type: none"> <li>• Variable</li> </ul>   | 49.8 gph<br>(188.5 lph) | D55         |



**OVERVIEW: AIR ATOMIZING SPRAY FEED SET-UPS**

- Liquid can be supplied to the nozzle under pressure or it can be supplied through a liquid siphon or gravity feed
- Filtration and pressure regulation are recommended on both the liquid and air line



**Pressure Spray Set-Ups**

- Liquid is supplied to the nozzle under pressure
- Air and liquid can be externally or internally mixed to produce a completely atomized spray

**Siphon/Gravity-Fed Spray Set-Ups**

- Liquid is supplied via liquid siphon or is gravity-fed
- These set-ups are designed to draw liquid through the feed line into the air flow where it is atomized



**PERFORMANCE DATA:  
PRESSURE SPRAY SET-UPS | INTERNAL MIX | ROUND SPRAY**

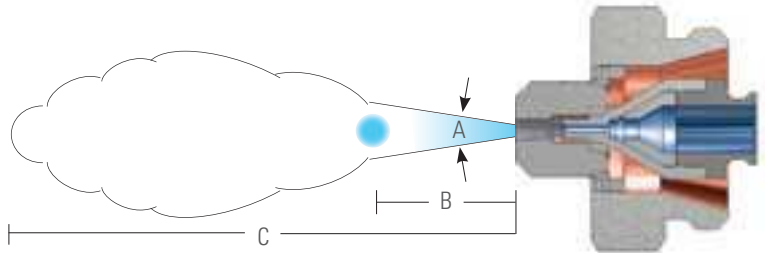
For a round spray pattern, angle "A" is maintained throughout distance "B". Beyond "B", the spray becomes turbulent and projects out to distance "C".

Liquid is supplied to this spray set-up under pressure.

Liquid and compressed air or gas are mixed internally to produce a completely atomized spray.

When ordering only a spray set-up, 12582 retainer ring and 7717-2/007 O-ring must be ordered separately. These components are included in a complete air atomizing nozzle assembly.

**Please contact your sales engineer for more information.**



| Spray Set-up No. | Spray Set-up Consists of Fluid and Air Cap Combination | Liquid Capacity (gallons per hour)* and Air Capacity (standard cubic feet per minute)* |      |      |            |      |      |            |      |      |            |      |       |            |       |       | Spray Dimensions  |             |             |
|------------------|--|--|------|------|------------|------|------|------------|------|------|------------|------|-------|------------|-------|-------|-------------------|-------------|-------------|
|                  |  | Liquid Pressure  |      |      |            |      |      |            |      |      |            |      |       |            |       |       | Spray Angle A (°) | B (in.)     | C (ft.)     |
|                  |  | 10 psi   |      |      | 20 psi     |      |      | 30 psi     |      |      | 40 psi     |      |       | 60 psi     |       |       |                   |             |             |
|                  |  | Air Press.   | gph  | scfm | Air Press. | gph  | scfm | Air Press. | gph  | scfm | Air Press. | gph  | scfm  | Air Press. | gph   | scfm  |                   |             |             |
| SUJ11            | Fluid Cap J2050 + Air Cap J67147                       | 10.0   | .66  | .55  | 14         | 1.50 | .40  | 24         | 1.68 | .56  | 32         | 1.86 | .68   | 50         | 2.28  | .98   | 13 - 15           | 12 - 17-1/2 | 9 - 14-1/2  |
|                  |  | 12.0   | .48  | .67  | 18         | 1.23 | .50  | 28         | 1.44 | .63  | 36         | 1.62 | .80   | 54         | 2.05  | 1.07  |                   |             |             |
|                  |  | 14.0   | .36  | .78  | 22         | .99  | .63  | 32         | 1.08 | .82  | 40         | 1.32 | .93   | 58         | 1.80  | 1.19  |                   |             |             |
|                  |  | -  | -    | -    | 26         | .72  | .76  | 38         | .72  | 1.03 | 48         | .85  | 1.23  | 66         | 1.32  | 1.52  |                   |             |             |
|                  |  | -  | -    | -    | 30         | .45  | .93  | 42         | .54  | 1.19 | 52         | .66  | 1.38  | 70         | 1.11  | 1.66  |                   |             |             |
| SUJ12A           | Fluid Cap J2050 + Air Cap J73160                       | 10.0   | .66  | .66  | 18         | 1.44 | .87  | 24         | 1.98 | 1.00 | 30         | 2.40 | 1.14  | 40         | 3.30  | 1.36  | 12 - 15           | 17 - 22     | 12 - 17     |
|                  |  | 12.0   | .54  | .77  | 20         | 1.32 | .98  | 28         | 1.68 | 1.17 | 34         | 2.16 | 1.29  | 46         | 2.94  | 1.54  |                   |             |             |
|                  |  | 14.0   | .42  | .90  | 22         | 1.20 | 1.06 | 32         | 1.44 | 1.35 | 38         | 1.92 | 1.47  | 52         | 2.58  | 1.83  |                   |             |             |
|                  |  | -  | -    | -    | 26         | .90  | 1.26 | 36         | 1.20 | 1.57 | 44         | 1.50 | 1.78  | 62         | 2.10  | 2.26  |                   |             |             |
|                  |  | -  | -    | -    | -          | -    | -    | 40         | 1.02 | 1.76 | 48         | 1.32 | 1.98  | 70         | 1.68  | 2.67  |                   |             |             |
| SUJ12            | Fluid Cap J2850 + Air Cap J73160                       | 12.0   | 1.26 | .73  | 22         | 2.16 | 1.05 | 30         | 2.90 | 1.24 | 36         | 4.32 | 1.26  | 48         | 5.82  | 1.50  | 12 - 15           | 19 - 23-1/2 | 13 - 17-1/2 |
|                  |  | 16.0   | 1.08 | .94  | 26         | 1.74 | 1.26 | 34         | 2.46 | 1.42 | 40         | 3.85 | 1.36  | 52         | 5.28  | 1.65  |                   |             |             |
|                  |  | 20   | .90  | 1.15 | 30         | 1.44 | 1.47 | 38         | 2.10 | 1.65 | 44         | 3.55 | 1.56  | 56         | 4.92  | 1.73  |                   |             |             |
|                  |  | 24   | .78  | 1.36 | 38         | 1.08 | 1.87 | 46         | 1.50 | 2.03 | 52         | 2.46 | 2.01  | 64         | 4.08  | 2.08  |                   |             |             |
|                  |  | 28   | .76  | 1.56 | 42         | .94  | 2.04 | 52         | 1.20 | 2.36 | 60         | 1.86 | 2.36  | 70         | 3.60  | 2.34  |                   |             |             |
| SUJ22B           | Fluid Cap J40100 + Air Cap J1401110                    | 16.0   | 3.44 | 2.68 | 28         | 5.03 | 3.71 | 40         | 6.10 | 4.72 | 48         | 7.75 | 5.30  | 65         | 10.70 | 6.74  | 18 - 21           | 26 - 38     | 16 - 30     |
|                  |  | 20   | 2.35 | 3.20 | 32         | 3.70 | 4.17 | 44         | 5.03 | 5.17 | 55         | 5.95 | 6.07  | 75         | 8.67  | 7.73  |                   |             |             |
|                  |  | 22   | 1.90 | 3.46 | 36         | 2.64 | 4.65 | 48         | 3.95 | 5.65 | 65         | 3.55 | 7.28  | 80         | 7.65  | 8.25  |                   |             |             |
|                  |  | 26   | 1.23 | 3.97 | 44         | 1.30 | 5.63 | 60         | 1.56 | 7.12 | 80         | 1.40 | 9.10  | 90         | 5.64  | 9.40  |                   |             |             |
|                  |  | 30   | .72  | 4.48 | 50         | .76  | 6.36 | 70         | .73  | 8.35 | 90         | .72  | 10.34 | 100        | 3.62  | 10.60 |                   |             |             |

\*At the stated pressure in psi.

Drip Free™ spray set-ups ensure positive shut-off and are provided for air atomizing assemblies containing a shut-off needle. For more information, call 1.800.95.SPRAY.



**PERFORMANCE DATA:  
PRESSURE SPRAY SET-UPS | INTERNAL MIX | ROUND SPRAY**

| Spray Set-up No. | Spray Set-up Consists of Fluid and Air Cap Combination | Liquid Capacity (gallons per hour)* and Air Capacity (standard cubic feet per minute)* |     |      |            |      |      |            |      |      |            |      |      |            |      |      | Spray Dimensions  |         |         |
|------------------|--|--|-----|------|------------|------|------|------------|------|------|------------|------|------|------------|------|------|-------------------|---------|---------|
|                  |  | Liquid Pressure  |     |      |            |      |      |            |      |      |            |      |      |            |      |      |                   |         |         |
|                  |  | 10 psi   |     |      | 20 psi     |      |      | 30 psi     |      |      | 40 psi     |      |      | 60 psi     |      |      | Spray Angle A (°) | B (in.) | C (ft.) |
|                  |  | Air Press.   | gph | scfm | Air Press. | gph  | scfm | Air Press. | gph  | scfm | Air Press. | gph  | scfm | Air Press. | gph  | scfm |                   |         |         |
| SUJ22            | Fluid Cap J60100 + Air Cap J1401110                    | 12.0   | 8.1 | 2.00 | 20         | 13.6 | 2.55 | 30         | 16.3 | 3.25 | 38         | 19.5 | 3.74 | 54         | 25.7 | 4.66 | 17 - 21           | 24 - 36 | 16 - 28 |
|                  |  | 14.0   | 6.6 | 2.32 | 22         | 12.0 | 2.85 | 34         | 13.1 | 3.75 | 42         | 16.5 | 4.20 | 60         | 21.8 | 5.34 |                   |         |         |
|                  |  | 16.0   | 4.9 | 2.66 | 24         | 10.2 | 3.15 | 38         | 9.9  | 4.32 | 46         | 13.6 | 4.71 | 65         | 18.5 | 5.98 |                   |         |         |
|                  |  | –  | –   | –    | 28         | 7.2  | 3.75 | 42         | 7.6  | 4.90 | 52         | 9.6  | 5.58 | 75         | 12.2 | 7.80 |                   |         |         |
|                  |  | –  | –   | –    | 32         | 4.6  | 4.35 | 46         | 5.6  | 5.50 | 56         | 7.6  | 6.14 | 85         | 8.0  | 8.90 |                   |         |         |

\*At the stated pressure in psi.



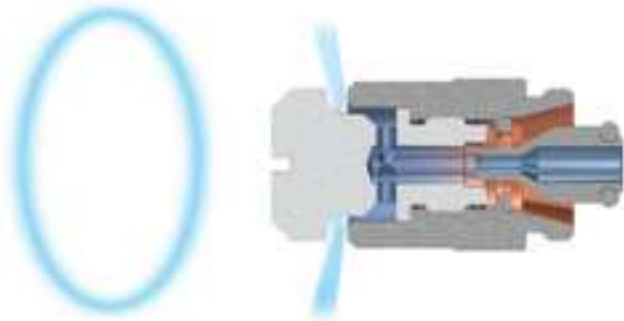
**PERFORMANCE DATA:  
PRESSURE SPRAY SET-UPS | INTERNAL MIX | 360° CIRCULAR SPRAY**

Liquid is supplied to this spray set-up under pressure.

Liquid and compressed air or gas are mixed internally to produce a completely atomized spray.

When ordering only a spray set-up, 7717-2/007 O-ring must be ordered separately. This component is included in a complete air atomizing nozzle assembly.

**Please contact your sales engineer for more information.**



360° circular spray pattern

| Spray Set-up No. | Spray Set-up Consists of Fluid and Air Cap Combination | Liquid Capacity (gallons per hour)* and Air Capacity (standard cubic feet per minute)* |     |      |            |     |      |            |     |       |            |      |       |            |      |      |
|------------------|--|--|-----|------|------------|-----|------|------------|-----|-------|------------|------|-------|------------|------|------|
|                  |  | Liquid Pressure  |     |      |            |     |      |            |     |       |            |      |       |            |      |      |
|                  |  | 10 psi   |     |      | 20 psi     |     |      | 30 psi     |     |       | 40 psi     |      |       | 60 psi     |      |      |
|                  |  | Air Press.   | gph | scfm | Air Press. | gph | scfm | Air Press. | gph | scfm  | Air Press. | gph  | scfm  | Air Press. | gph  | scfm |
| SUJ340C          | Fluid Cap J60100 + Air Cap J150-6-62-160HC             | 20   | 4.0 | 2.45 | 34         | 6.6 | 4.09 | 50         | 7.1 | 6.38  | 60         | 11.0 | 7.6   | 85         | 14.4 | 11.8 |
|                  |  | 22   | 2.8 | 2.7  | 38         | 4.4 | 4.8  | 52         | 6.2 | 6.75  | 65         | 8.3  | 8.63  | 90         | 12.0 | 13.0 |
|                  |  | 24   | 2.0 | 2.97 | 42         | 2.8 | 5.5  | 56         | 4.4 | 7.55  | 70         | 6.1  | 9.78  | 95         | 9.8  | 14.1 |
|                  |  | 26   | 1.5 | 3.3  | 46         | 1.7 | 6.34 | 60         | 3.2 | 8.41  | 80         | 3.1  | 12.44 | 100        | 7.8  | 15.4 |
|                  |  | 28   | 1.1 | 3.62 | 48         | 1.3 | 6.85 | 70         | 1.3 | 11.75 | 90         | 1.4  | 15.4  | –          | –    | –    |

Drip Free™ spray set-ups ensure positive shut-off and are provided for air atomizing assemblies containing a shut-off needle. For more information, call 1.800.95.SPRAY.



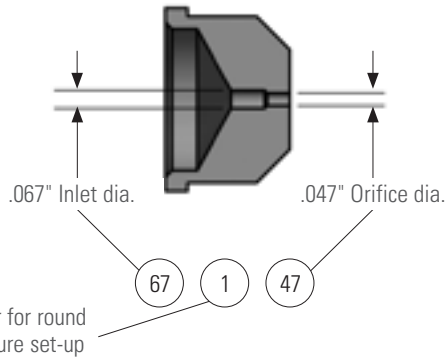
**NUMBERING SYSTEM FOR AIR CAPS AND FLUID CAPS**

The drawings below illustrate the measurements used in the Spray Performance Data charts.

**AIR CAPS  
PRESSURE SET-UPS (INTERNAL MIX)**

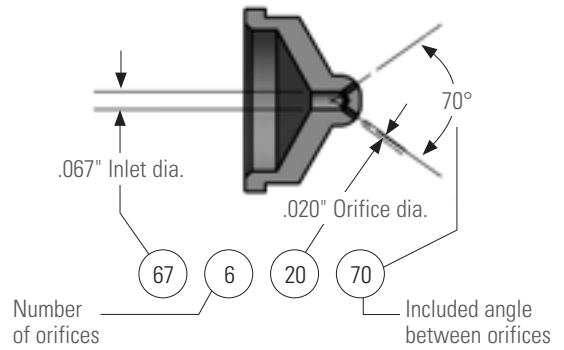
**Round Spray Pattern**

Example: Air Cap No. PA67147



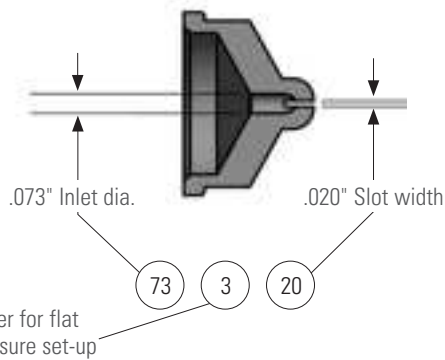
**Wide Angle Round Spray Pattern**

Example: Air Cap No. PA67-6-20-70



**Flat Spray Pattern**

Example: Air Cap No. PA73320



Dimensions shown are nominal and subject to manufacturing tolerances.

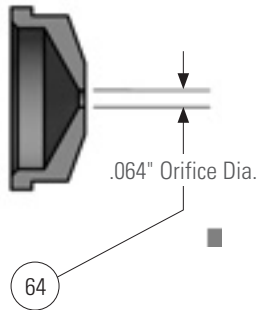
**PLACING YOUR ORDER**

**AIR CAPS**

**SIPHON/GRAVITY FEED SET-UPS (EXTERNAL MIX)**

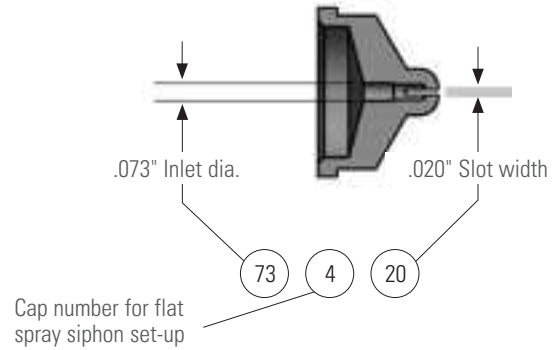
**Round Spray Pattern**

Example: Air Cap No. PA64



**Flat Round Spray Pattern**

Example: Air Cap No. PA73420

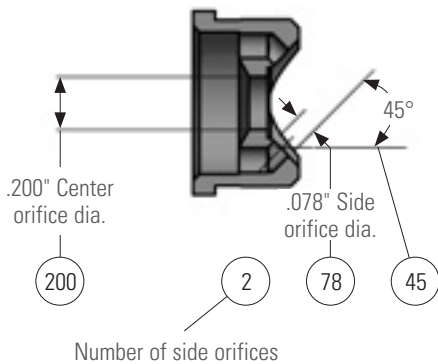


**AIR CAPS**

**PRESSURE SET-UPS (EXTERNAL MIX)**

**Flat Spray Pattern**

Example: Air Cap No. PA200278-45

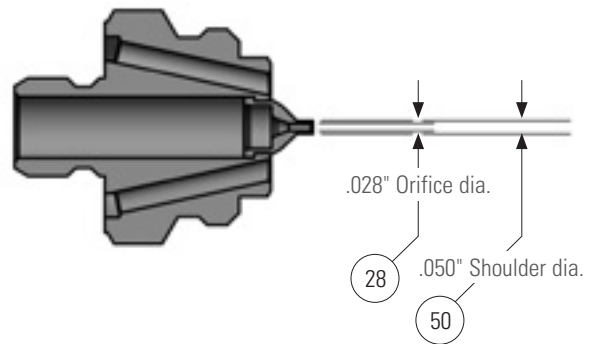


**FLUID CAP**

**FOR USE WITH ALL SET-UPS**

**Fluid Cap**

Example: Fluid Cap No. PF2850



Dimensions shown are nominal and subject to manufacturing tolerances.

**AIR ATOMIZING SET-UP COMPATIBILITY**

Use the chart that follows to determine which spray set-ups can be used with our atomizing nozzles. The chart also includes the part number for the air cap and fluid cap that are required for each spray set-up.

| Set-up No. | Spray Pattern    | Use With  | Fluid Cap No. | Air Cap No.      |
|------------|------------------|-----------|---------------|------------------|
| SU11       | Round            | 1/8J,1/4J | PF2050        | PA67147          |
| SU12A      | Round            | 1/8J,1/4J | PF2050        | PA73160          |
| SU12       | Round            | 1/8J,1/4J | PF2850        | PA73160          |
| SU22B      | Round            | 1/8J,1/4J | PF40100       | PA1401110        |
| SU22       | Round            | 1/8J,1/4J | PF60100       | PA1401110        |
| SU42       | Round            | 1/8J,1/4J | PF100150      | PA1891125        |
| SU16       | Wide Angle Round | 1/8J,1/4J | PF2050        | PA67-6-20-70     |
| SU26B      | Wide Angle Round | 1/8J,1/4J | PF40100       | PA140-6-37-70    |
| SU26       | Wide Angle Round | 1/8J,1/4J | PF60100       | PA140-6-37-70    |
| SU29       | Wide Angle Round | 1/8J,1/4J | PF60100       | PA140-6-52-70    |
| SU30       | Wide Angle Round | 1/8J,1/4J | PF40100       | PA120-6-35-60    |
| SU46       | Wide Angle Round | 1/8J,1/4J | PF100150      | PA189-6-62-70    |
| SU340C     | 360° Circular    | 1/8J,1/4J | PF60150       | PA189-6-62-160HC |
| SU13A      | Flat             | 1/8J,1/4J | PF2050        | PA73328          |
| SU13       | Flat             | 1/8J,1/4J | PF2850        | PA73328          |
| SUN13      | Flat             | 1/8J,1/4J | PF2850        | PA73335          |
| SU14       | Flat             | 1/8J,1/4J | PF2850        | PA73320          |
| SUN23      | Flat             | 1/8J,1/4J | PF60100       | PA125340         |
| SU23B      | Flat             | 1/8J,1/4J | PF40100       | PA125328         |
| SU23       | Flat             | 1/8J,1/4J | PF60100       | PA125328         |
| SU43       | Flat             | 1/8J,1/4J | PF100150      | PA189351         |
| SU240E     | Deflected Flat   | 1/8J,1/4J | PF28150       | PA189110-75      |

| Set-up No. | Spray Pattern | Use With  | Fluid Cap No. | Air Cap No. |
|------------|---------------|-----------|---------------|-------------|
| SUE15B     | Flat          | 1/8J,1/4J | PF1650        | PA67228-45  |
| SUE18B     | Flat          | 1/8J,1/4J | PF1650        | PA62240-60  |
| SUE15A     | Flat          | 1/8J,1/4J | PF2050        | PA67228-45  |
| SUE18A     | Flat          | 1/8J,1/4J | PF2050        | PA62240-60  |
| SUE15      | Flat          | 1/8J,1/4J | PF2850        | PA67228-45  |
| SUE18      | Flat          | 1/8J,1/4J | PF2850        | PA62240-60  |
| SUE25B     | Flat          | 1/8J,1/4J | PF35100       | PA134255-45 |
| SUE28B     | Flat          | 1/8J,1/4J | PF35100       | PA122281-60 |
| SUE25A     | Flat          | 1/8J,1/4J | PF40100       | PA134255-45 |
| SUE28A     | Flat          | 1/8J,1/4J | PF40100       | PA122281-60 |
| SUE28      | Flat          | 1/8J,1/4J | PF60100       | PA122281-60 |
| SUE25      | Flat          | 1/8J,1/4J | PF60100       | PA134255-45 |
| SUE45B     | Flat          | 1/8J,1/4J | PF60150       | PA200278-45 |
| SUE45A     | Flat          | 1/8J,1/4J | PF80150       | PA200278-45 |
| SUE45      | Flat          | 1/8J,1/4J | PF100150      | PA200278-45 |
| SUF1       | Flat          | 1/8J,1/4J | PF2850        | PA73420     |
| SUF2C      | Flat          | 1/8J,1/4J | PF35100       | PA120432    |
| SUF3B      | Flat          | 1/8J,1/4J | PF40100       | PA122435    |
| SUF4B      | Flat          | 1/8J,1/4J | PF40100       | PA122440    |
| SU1A       | Round         | 1/8J,1/4J | PF1650        | PA64        |
| SU1        | Round         | 1/8J,1/4J | PF2050        | PA64        |
| SU2A       | Round         | 1/8J,1/4J | PF2050        | PA70        |



| Set-up No.              | Spray Pattern    | Use With  | Fluid Cap No.                                | Air Cap No.       |
|-------------------------|------------------|-----------|--|-------------------|
| SU2                     | Round            | 1/8J,1/4J | PF2850                                       | PA70              |
| SU4                     | Round            | 1/8J,1/4J | PF60100                                      | PA120             |
| SU5                     | Round            | 1/8J,1/4J | PF100150                                     | PA180             |
| D-SU1A-W<br>D-SU1A-W-CO | Wide Angle Round | 1/8J,1/4J | Fluid caps and air caps not sold separately. |                   |
| D-SU1-W<br>D-SU1-W-CO   | Wide Angle Round | 1/8J,1/4J |  |                   |
| D-SU2A-W<br>D-SU2A-W-CO | Wide Angle Round | 1/8J,1/4J |  |                   |
| D-SU2-W<br>D-SU2-W-CO   | Wide Angle Round | 1/8J,1/4J |  |                   |
| D-SU4-W<br>D-SU4-W-CO   | Wide Angle Round | 1/8J,1/4J |  |                   |
| D-SU5-W<br>D-SU5-W-CO   | Wide Angle Round | 1/8J,1/4J |  |                   |
| SUJ11                   | Round            | 1/8JJ     |  |                   |
| SUJ12A                  | Round            | 1/8JJ     | PFJ2050                                      | PAJ73160          |
| SUJ12                   | Round            | 1/8JJ     | PFJ2850                                      | PAJ73160          |
| SUJ22B                  | Round            | 1/8JJ     | PFJ40100                                     | PAJ1401110        |
| SUJ22                   | Round            | 1/8JJ     | PFJ60100                                     | PAJ1401110        |
| SUJ340C                 | 360° Circular    | 1/8JJ     | PFJ60100                                     | PAJ150-6-62-160HC |
| SUJ16                   | Wide Angle Round | 1/8JJ     | PFJ2050                                      | PAJ67-6-20-70     |
| SUJ26B                  | Wide Angle Round | 1/8JJ     | PFJ40100                                     | PAJ140-6-37-70    |
| SUJ26                   | Wide Angle Round | 1/8JJ     | PFJ60100                                     | PAJ140-6-37-70    |
| SUJ29                   | Wide Angle Round | 1/8JJ     | PFJ60100                                     | PAJ140-6-52-70    |
| SUJ30                   | Wide Angle Round | 1/8JJ     | PFJ40100                                     | PAJ120-6-35-60    |
| SUJ13A                  | Flat             | 1/8JJ     | PFJ2050                                      | PAJ73328          |
| SUJ13                   | Flat             | 1/8JJ     | PFJ2850                                      | PAJ73328          |
| SUJ14                   | Flat             | 1/8JJ     | PFJ2850                                      | PAJ73320          |
| SUJ23B                  | Flat             | 1/8JJ     | PFJ40100                                     | PAJ125328         |

| Set-up No. | Spray Pattern | Use With | Fluid Cap No. | Air Cap No. |
|------------|---------------|----------|---------------|-------------|
| SUJ23      | Flat          | 1/8JJ    | PFJ60100      | PAJ125328   |
| SUJE416-50 | Flat          | 1/8JJ    | PFJ1650       | PAJ105-50   |
| SUJE417-50 | Flat          | 1/8JJ    | PFJ2050       | PAJ105-50   |
| SUJE418-50 | Flat          | 1/8JJ    | PFJ2850       | PAJ105-50   |
| SUJE420-50 | Flat          | 1/8JJ    | PFJ40100      | PAJ135-50   |
| SUJE416-65 | Flat          | 1/8JJ    | PFJ1650       | PAJ080-65   |
| SUJE417-65 | Flat          | 1/8JJ    | PFJ2050       | PAJ080-65   |
| SUJE418-65 | Flat          | 1/8JJ    | PFJ2850       | PAJ080-65   |
| SUJE420-65 | Flat          | 1/8JJ    | PFJ40100      | PAJ125-65   |
| SUJE421-65 | Flat          | 1/8JJ    | PFJ60100      | PAJ-125-65  |
| SUJE416-90 | Flat          | 1/8JJ    | PFJ1650       | PAJ075-90   |
| SUJE417-90 | Flat          | 1/8JJ    | PFJ2050       | PAJ075-90   |
| SUJE418-90 | Flat          | 1/8JJ    | PFJ2850       | PAJ075-90   |
| SUJE420-90 | Flat          | 1/8JJ    | PFJ40100      | PAJ115-90   |
| SUJE421-90 | Flat          | 1/8JJ    | PFJ60100      | PAJ115-90   |
| SUJ1A      | Round         | 1/8JJ    | PFJ1650       | PAJ64       |
| SUJ1       | Round         | 1/8JJ    | PFJ2050       | PAJ64       |
| SUJ2A      | Round         | 1/8JJ    | PFJ2050       | PAJ70       |
| SUJ2       | Round         | 1/8JJ    | PFJ2850       | PAJ70       |
| SUJ3       | Round         | 1/8JJ    | PFJ2850       | PAJ64-5     |
| SUJ4B      | Round         | 1/8JJ    | PFJ40100      | PAJ120      |
| SUJ4       | Round         | 1/8JJ    | PFJ60100      | PAJ120      |
| SUJF1      | Flat          | 1/8JJ    | PFJ2850       | PAJ73420    |
| SUJF2C     | Flat          | 1/8JJ    | PFJ35100      | PAJ120432   |





| Set-up No. | Spray Pattern    | Use With | Fluid Cap No. | Air Cap No.     |
|------------|------------------|----------|---------------|-----------------|
| SUJF3B     | Flat             | 1/8JJ    | PFJ40100      | PAJ122435       |
| SUJF4B     | Flat             | 1/8JJ    | PFJ40100      | PAJ122440       |
| SU75       | Flat             | 1/2J     | PF250375      | PA4533102       |
| SU85       | Flat             | 1/2J     | PF251376      | PA4693102       |
| SU77       | Wide Angle Round | 1/2J     | PF250375      | PA422-6-73-70   |
| SU78       | Wide Angle Round | 1/2J     | PF250375      | PA422-6-94-70   |
| SU79       | Wide Angle Round | 1/2J     | PF250375      | PA469-6-125-70  |
| SU89       | Wide Angle Round | 1/2J     | PF251376      | PA469-6-130-70  |
| SU72       | Round            | 1/2J     | PF250375      | PA4221250       |
| SU82       | Round            | 1/2J     | PF251376      | PA4691312       |
| SUE75      | Flat             | 1/2J     | PF250375      | PA14356         |
| SU159      | Wide Angle Round | 1J       | PF4371000     | PA1109-6-224-70 |
| SU152      | Round            | 1J       | PF4371000     | PA11091547      |
| SU172      | Round            | 1J       | PF6251000     | PA11251625      |
| SU155      | Flat             | 1J       | PF4371000     | PA11093187      |
| SUE175B    | Flat             | 1J       | PF625780      | PA12116         |
| SU170      | Round            | 1J       | PF6251000     | PA1125          |
| SUQR-220B  | Round            | QMJ      | PFQ40         | PAQR95          |
| SUQW-260B  | Wide Angle Round | QMJ      | PFQ30         | PAQW37-60       |
| SUQW-260   | Wide Angle Round | QMJ      | PFQ60         | PAQW37-60       |
| SUQW-290   | Wide Angle Round | QMJ      | PFQ60         | PAQW52-60       |
| SUQF-130   | Flat             | QMJ      | PFQ20         | PAQF28          |
| SUQF-N130  | Flat             | QMJ      | PFQ30         | PAQF28          |
| SUQF-230B  | Flat             | QMJ      | PFQ30         | PAQF35          |
| SUQF-230   | Flat             | QMJ      | PFQ40         | PAQF40          |
| SUQR-200   | Round            | QMJ      | PFQ5028       | PAQR070         |
| SUQR-300   | Round            | QMJ      | PFQ10060      | PAQR120         |
| SUQF-200C  | Flat             | QMJ      | PFQ10035      | PAQF450121      |

| Set-up No. | Spray Pattern | Use With | Fluid Cap No. | Air Cap No.   |
|------------|---------------|----------|---------------|---------------|
| SUQR-300B  | Flat          | QMJ      | PFQ10040      | PAQF450121    |
| SUQF-300   | Flat          | QMJ      | PFQ10060      | PAQF450121    |
| SUVM67B    | Variable      | VMAU     | VMF1650       | VMA67255-60   |
| SUVM67A    | Variable      | VMAU     | VMF2050       | VMA67255-60   |
| SUVM67     | Variable      | VMAU     | VMF2850       | VMA67255-60   |
| SUVM113A   | Variable      | VMAU     | VMF3578       | VMA113289-60  |
| SUVM113    | Variable      | VMAU     | VMF4078       | VMA113289-60  |
| SUVM128    | Variable      | VMAU     | VMF60100      | VMA1282100-60 |
| SUVM152    | Variable      | VMAU     | VMF80125      | VMA1522110-60 |
| SUV67B     | Variable      | VAU      | VF1650        | VA67255-60    |
| SUV67A     | Variable      | VAU      | VF2050        | VA67255-60    |
| SUV67      | Variable      | VAU      | VF2850        | VA67255-60    |
| SUV113A    | Variable      | VAU      | VF3578        | VA113293-60   |
| SUV113     | Variable      | VAU      | VF4078        | VA113293-60   |
| SUV128     | Variable      | VAU      | VF60100       | VA1282125-60  |
| SUV152     | Variable      | VAU      | VF80125       | VA1522125-60  |
| SUVXE1A    | Flat          | VX       | PFX16         | PAVX140A      |
| SUVXE2C    | Flat          | VX       | PFX16         | PAVX156A      |
| SUVXE1     | Flat          | VX       | PFX20         | PAVX140A      |
| SUVXE2B    | Flat          | VX       | PFX20         | PAVX156A      |
| SUVXE2A    | Flat          | VX       | PFX28         | PAVX156A      |
| SUVXE3B    | Flat          | VX       | PFX28         | PAVX180A      |
| SUVXE2     | Flat          | VX       | PFX40         | PAVX156A      |
| SUVXE3A    | Flat          | VX       | PFX40         | PAVX180A      |
| SUVXE3     | Flat          | VX       | PFX60         | PAVX180A      |
| SUVXE4B    | Flat          | VX       | PFX60         | PAVX200A      |
| SUVXE4A    | Flat          | VX       | PFX80         | PAVX200A      |
| SUVXE4     | Flat          | VX       | PFX100        | PAVX200A      |

