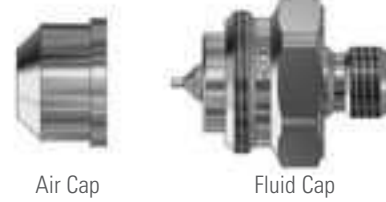


OVERVIEW: AIR ATOMIZING SPRAY NOZZLE SET-UPS

- Each spray set-up – consisting of an air cap and a fluid cap – provides a specific spray pattern, flow rate and spray coverage
- Within each nozzle series, spray set-ups are interchangeable, for versatile performance
- Air and liquid can be externally or internally mixed to produce a completely atomized spray
- Drip Free™ spray set-ups are used for all nozzle assemblies containing shut-off or clean-out needles to ensure positive liquid shut-off



Air Cap

Fluid Cap

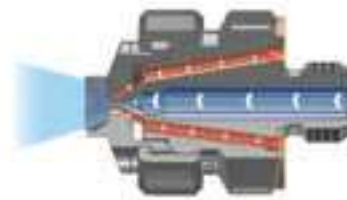
Spray Set-Ups

Each spray set-up consists of an air cap and a fluid cap.



Internal Mix Set-Ups

Liquid and air are mixed internally to produce an atomized spray. Liquid and gas streams are not independent – a change in air flow will affect the liquid flow.



External Mix Set-Ups

Liquid and air streams are mixed outside of the nozzle. Air and liquid flow can be controlled independently. Effective for higher viscosity liquids and abrasive suspensions.

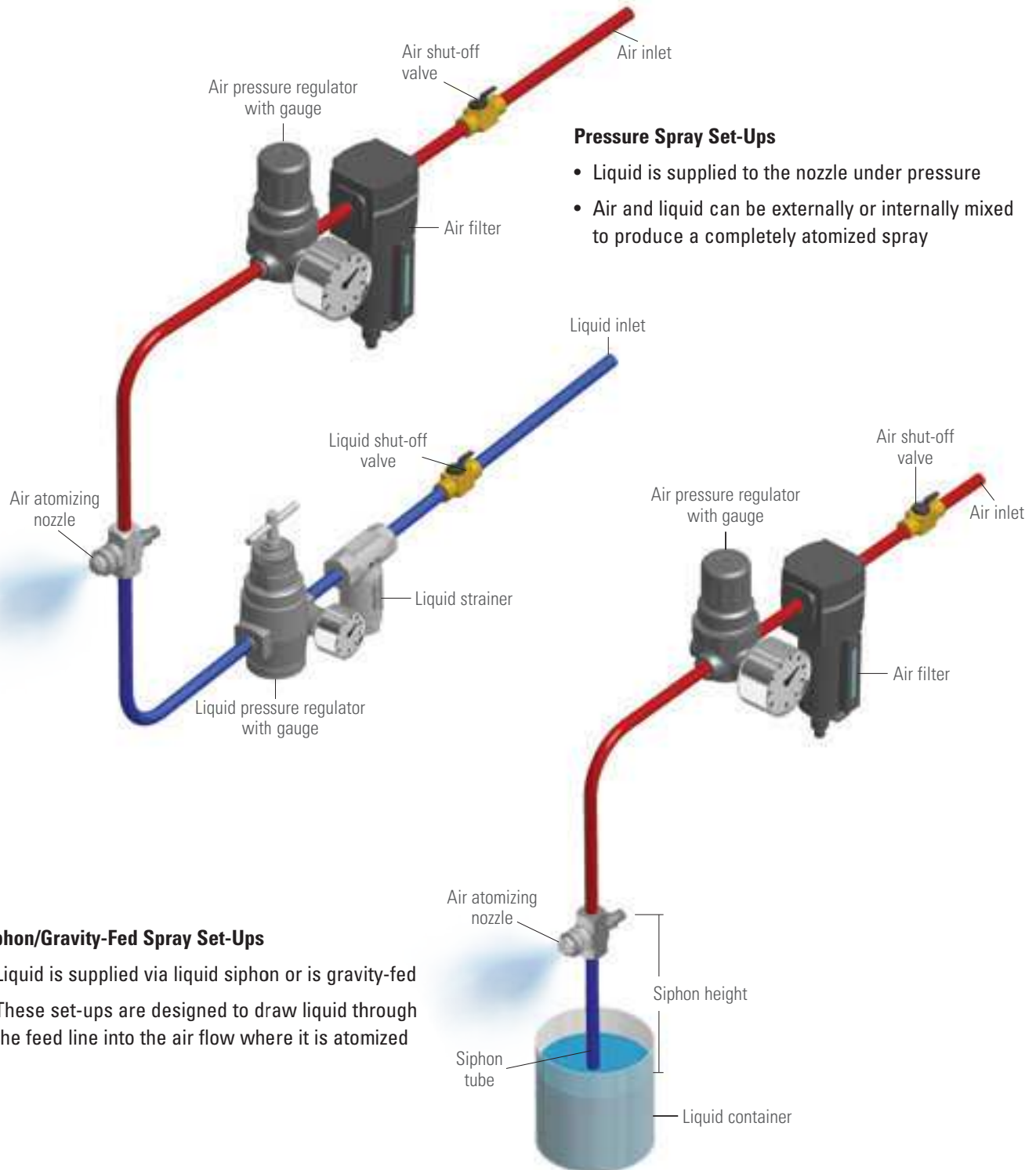
QUICK REFERENCE GUIDE

| Spray Set-Up | Liquid Supply | Internal / External Mix | Spray Patterns | Max Flow | Page Number |
|-----------------------------|--------------------------------------|-------------------------|--|-------------------------|-------------|
| 1/8J and 1/4J Series | Pressure Feed Siphon/Gravity Feed | Both | <ul style="list-style-type: none"> • Flat Spray • Deflected Flat Spray • Round Spray • Wide Angle Round Spray • 360° Circular Spray | 72 gph (272.5 lph) | D22 |
| 1/8JJ Series | Pressure Feed Siphon/Gravity Feed | Both | <ul style="list-style-type: none"> • Flat Spray • Round Spray • Wide Angle Round Spray • 360° Circular Spray | 33.2 gph (126 lph) | D33 |
| 1/2J Series | Pressure Feed Siphon/Gravity Feed | Both | <ul style="list-style-type: none"> • Flat Spray • Round Spray • Wide Angle Round Spray | 306 gph (1158 lph) | D41 |
| 1J Series | Pressure Feed Siphon/Gravity Feed | Both | <ul style="list-style-type: none"> • Flat Spray • Round Spray • Wide Angle Round Spray | 29 gpm (110 lpm) | D45 |
| QuickMist® Series | Pressure Feed Siphon/Gravity Feed | Internal Mix Only | <ul style="list-style-type: none"> • Flat Spray • Round Spray • Wide Angle Round Spray | 26 gpm (98 lpm) | D50 |
| SUV and SUVM Series | Pressure Feed Only | External Mix Only | <ul style="list-style-type: none"> • Variable | 49.8 gph (188.5 lph) | D55 |



OVERVIEW: AIR ATOMIZING SPRAY FEED SET-UPS

- Liquid can be supplied to the nozzle under pressure or it can be supplied through a liquid siphon or gravity feed
- Filtration and pressure regulation are recommended on both the liquid and air line





**PERFORMANCE DATA:
PRESSURE SPRAY SET-UPS | INTERNAL | FLAT SPRAY**

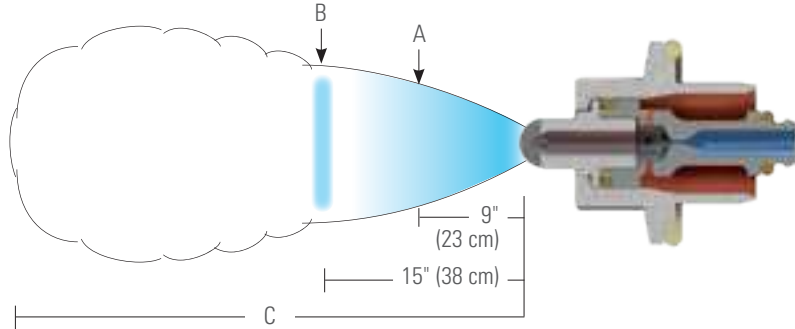
For these QuickMist flat spray set-ups, "A" and "B" are the pattern widths at distances from the nozzle.

The total distance of spray projection from the nozzle to the maximum dispersal point is represented by "C".

Liquid is supplied to this spray set-up under pressure.

Liquid and compressed air or gas are mixed internally to produce a completely atomized spray.

Please contact your sales engineer for more information.



| Spray Set-up No. | Spray Set-up Consists of Fluid and Air Cap Combination | Liquid Capacity (liters per hour)* and Air Capacity (liters per minute)* | | | | | | | | | | | | | | | Spray Dimensions | | | | | |
|------------------|--|--|------|-------|------------|------|-------|------------|------|-------|------------|------|-------|------------|------|-------|------------------|---------|---------|---------|---|---|
| | | Liquid Pressure | | | | | | | | | | | | | | | A (cm) | B (cm) | C (m) | | | |
| | | 1 bar | | | 2 bar | | | 3 bar | | | 4 bar | | | 5 bar | | | | | | | | |
| | | Air Press. | l/h | l/min | Air Press. | l/h | l/min | Air Press. | l/h | l/min | Air Press. | l/h | l/min | Air Press. | l/h | l/min | | | | | | |
| SUQF130 | Fluid Cap PFQ20 + Air Cap PAQF28 | 1 | 5.7 | 29 | 1 | 12.5 | 25 | - | - | - | - | - | - | - | - | - | - | 13 - 23 | 18 - 33 | 25 - 51 | | |
| | | - | - | - | 1.9 | 6.9 | 45 | 1.9 | 13.5 | 39 | 1.9 | 18.0 | 38 | - | - | - | - | | | | | |
| | | - | - | - | - | - | - | 3 | 7.1 | 63 | 3 | 13.7 | 56 | 3 | 18.1 | 53 | - | | | | - | - |
| | | - | - | - | - | - | - | - | - | - | 3.4 | 11.5 | 65 | 3.4 | 16.6 | 60 | - | | | | - | - |
| | | - | - | - | - | - | - | - | - | - | 4 | 8.2 | 77 | 4 | 14.2 | 70 | - | | | | - | - |
| SUQFN130 | Fluid Cap PFQ30 + Air Cap PAQF28 | 1 | 10.8 | 24 | - | - | - | - | - | - | - | - | - | - | - | - | - | 13 - 30 | 18 - 46 | 20 - 58 | | |
| | | - | - | - | 1.9 | 12.7 | 38 | 1.9 | 27 | 31 | - | - | - | - | - | - | - | | | | | |
| | | - | - | - | - | - | - | 3 | 12.8 | 55 | 3 | 26 | 45 | - | - | - | - | | | | | |
| | | - | - | - | - | - | - | 3.4 | 6.8 | 70 | 3.4 | 21 | 54 | 3.4 | 32 | 47 | - | | | | - | - |
| | | - | - | - | - | - | - | - | - | - | 4 | 15.2 | 69 | 4 | 27 | 58 | - | | | | - | - |
| SUQF230B | Fluid Cap PFQ30 + Air Cap PAQF35 | 1 | 11.6 | 27 | - | - | - | - | - | - | - | - | - | - | - | - | - | 10 - 25 | 13 - 38 | 18 - 56 | | |
| | | - | - | - | 1.9 | 13.8 | 42 | 1.9 | 27 | 35 | - | - | - | - | - | - | - | | | | | |
| | | - | - | - | - | - | - | 3 | 14.4 | 60 | 3 | 27 | 50 | 3 | 26 | 46 | - | | | | - | - |
| | | - | - | - | - | - | - | 3.4 | 8.5 | 74 | 3.4 | 23 | 59 | 3.4 | 32 | 53 | - | | | | - | - |
| | | - | - | - | - | - | - | - | - | - | 4 | 16.8 | 73 | 4 | 28 | 64 | - | | | | - | - |
| SUQF230 | Fluid Cap PFQ40 + Air Cap PAQF40 | 1 | 18.9 | 23 | - | - | - | - | - | - | - | - | - | - | - | - | - | 10 - 30 | 13 - 46 | 15 - 53 | | |
| | | - | - | - | 1.9 | 22.1 | 38 | - | - | - | - | - | - | - | - | - | - | | | | | |
| | | - | - | - | - | - | - | 3 | 23 | 56 | - | - | - | - | - | - | - | | | | | |
| | | - | - | - | - | - | - | 3.4 | 12.8 | 72 | 3.4 | 38 | 51 | - | - | - | - | | | | | |
| | | - | - | - | - | - | - | - | - | - | 4 | 27 | 69 | 4 | 47 | 54 | - | | | | - | - |
| - | - | - | - | - | - | - | - | - | - | - | - | 5 | 30 | 81 | - | - | - | | | | | |

*At the stated pressure in bar.



NUMBERING SYSTEM FOR AIR CAPS AND FLUID CAPS

The drawings below illustrate the measurements used in the Spray Performance Data charts.

**AIR CAPS
PRESSURE SET-UPS (INTERNAL MIX)**

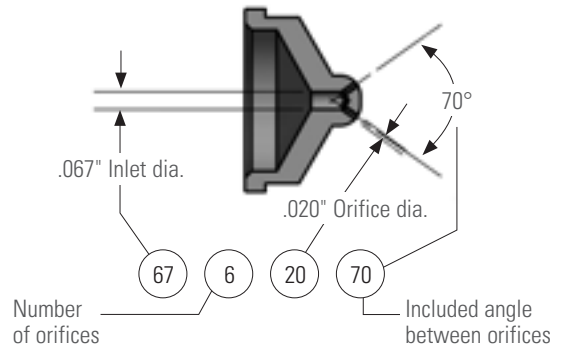
Round Spray Pattern

Example: Air Cap No. PA67147



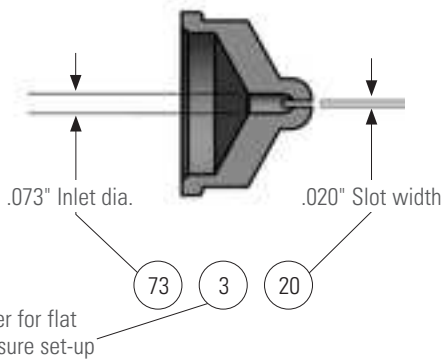
Wide Angle Round Spray Pattern

Example: Air Cap No. PA67-6-20-70



Flat Spray Pattern

Example: Air Cap No. PA73320



Dimensions shown are nominal and subject to manufacturing tolerances.

PLACING YOUR ORDER

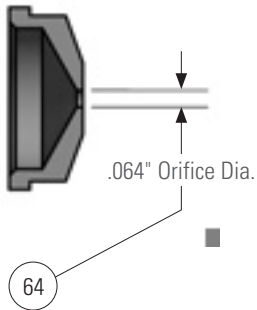
**Call 1.630.665.5000 for application assistance
or to place an order.**

AIR CAPS

SIPHON/GRAVITY FEED SET-UPS (EXTERNAL MIX)

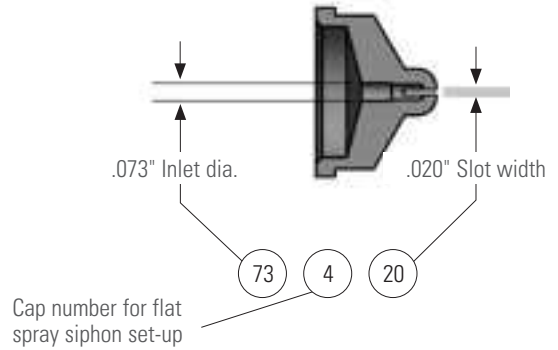
Round Spray Pattern

Example: Air Cap No. PA64



Flat Round Spray Pattern

Example: Air Cap No. PA73420

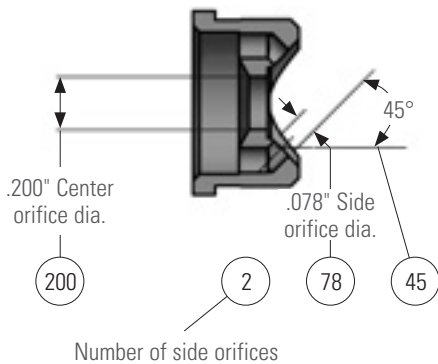


AIR CAPS

PRESSURE SET-UPS (EXTERNAL MIX)

Flat Spray Pattern

Example: Air Cap No. PA200278-45

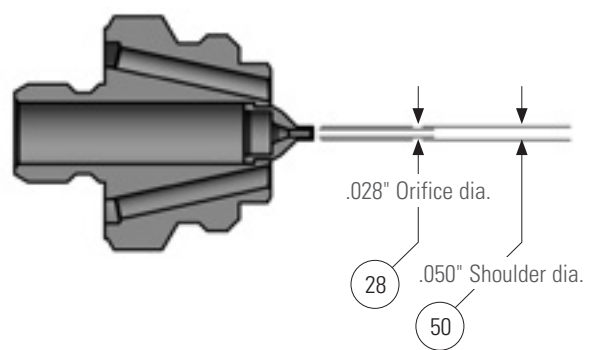


FLUID CAP

FOR USE WITH ALL SET-UPS

Fluid Cap

Example: Fluid Cap No. PF2850



Dimensions shown are nominal and subject to manufacturing tolerances.

AIR ATOMIZING SET-UP COMPATIBILITY

Use the chart that follows to determine which spray set-ups can be used with our atomizing nozzles. The chart also includes the part number for the air cap and fluid cap that are required for each spray set-up.

| Set-up No. | Spray Pattern | Use With | Fluid Cap No. | Air Cap No. |
|------------|------------------|-----------|---------------|------------------|
| SU11 | Round | 1/8J,1/4J | PF2050 | PA67147 |
| SU12A | Round | 1/8J,1/4J | PF2050 | PA73160 |
| SU12 | Round | 1/8J,1/4J | PF2850 | PA73160 |
| SU22B | Round | 1/8J,1/4J | PF40100 | PA1401110 |
| SU22 | Round | 1/8J,1/4J | PF60100 | PA1401110 |
| SU42 | Round | 1/8J,1/4J | PF100150 | PA1891125 |
| SU16 | Wide Angle Round | 1/8J,1/4J | PF2050 | PA67-6-20-70 |
| SU26B | Wide Angle Round | 1/8J,1/4J | PF40100 | PA140-6-37-70 |
| SU26 | Wide Angle Round | 1/8J,1/4J | PF60100 | PA140-6-37-70 |
| SU29 | Wide Angle Round | 1/8J,1/4J | PF60100 | PA140-6-52-70 |
| SU30 | Wide Angle Round | 1/8J,1/4J | PF40100 | PA120-6-35-60 |
| SU46 | Wide Angle Round | 1/8J,1/4J | PF100150 | PA189-6-62-70 |
| SU340C | 360° Circular | 1/8J,1/4J | PF60150 | PA189-6-62-160HC |
| SU13A | Flat | 1/8J,1/4J | PF2050 | PA73328 |
| SU13 | Flat | 1/8J,1/4J | PF2850 | PA73328 |
| SUN13 | Flat | 1/8J,1/4J | PF2850 | PA73335 |
| SU14 | Flat | 1/8J,1/4J | PF2850 | PA73320 |
| SUN23 | Flat | 1/8J,1/4J | PF60100 | PA125340 |
| SU23B | Flat | 1/8J,1/4J | PF40100 | PA125328 |
| SU23 | Flat | 1/8J,1/4J | PF60100 | PA125328 |
| SU43 | Flat | 1/8J,1/4J | PF100150 | PA189351 |
| SU240E | Deflected Flat | 1/8J,1/4J | PF28150 | PA189110-75 |

| Set-up No. | Spray Pattern | Use With | Fluid Cap No. | Air Cap No. |
|------------|---------------|-----------|---------------|-------------|
| SUE15B | Flat | 1/8J,1/4J | PF1650 | PA67228-45 |
| SUE18B | Flat | 1/8J,1/4J | PF1650 | PA62240-60 |
| SUE15A | Flat | 1/8J,1/4J | PF2050 | PA67228-45 |
| SUE18A | Flat | 1/8J,1/4J | PF2050 | PA62240-60 |
| SUE15 | Flat | 1/8J,1/4J | PF2850 | PA67228-45 |
| SUE18 | Flat | 1/8J,1/4J | PF2850 | PA62240-60 |
| SUE25B | Flat | 1/8J,1/4J | PF35100 | PA134255-45 |
| SUE28B | Flat | 1/8J,1/4J | PF35100 | PA122281-60 |
| SUE25A | Flat | 1/8J,1/4J | PF40100 | PA134255-45 |
| SUE28A | Flat | 1/8J,1/4J | PF40100 | PA122281-60 |
| SUE28 | Flat | 1/8J,1/4J | PF60100 | PA122281-60 |
| SUE25 | Flat | 1/8J,1/4J | PF60100 | PA134255-45 |
| SUE45B | Flat | 1/8J,1/4J | PF60150 | PA200278-45 |
| SUE45A | Flat | 1/8J,1/4J | PF80150 | PA200278-45 |
| SUE45 | Flat | 1/8J,1/4J | PF100150 | PA200278-45 |
| SUF1 | Flat | 1/8J,1/4J | PF2850 | PA73420 |
| SUF2C | Flat | 1/8J,1/4J | PF35100 | PA120432 |
| SUF3B | Flat | 1/8J,1/4J | PF40100 | PA122435 |
| SUF4B | Flat | 1/8J,1/4J | PF40100 | PA122440 |
| SU1A | Round | 1/8J,1/4J | PF1650 | PA64 |
| SU1 | Round | 1/8J,1/4J | PF2050 | PA64 |
| SU2A | Round | 1/8J,1/4J | PF2050 | PA70 |



| Set-up No. | Spray Pattern | Use With | Fluid Cap No. | Air Cap No. |
|-------------------------|------------------|-----------|--|-------------------|
| SU2 | Round | 1/8J,1/4J | PF2850 | PA70 |
| SU4 | Round | 1/8J,1/4J | PF60100 | PA120 |
| SU5 | Round | 1/8J,1/4J | PF100150 | PA180 |
| D-SU1A-W D-SU1A-W-CO | Wide Angle Round | 1/8J,1/4J | Fluid caps and air caps not sold separately. | |
| D-SU1-W D-SU1-W-CO | Wide Angle Round | 1/8J,1/4J | | |
| D-SU2A-W D-SU2A-W-CO | Wide Angle Round | 1/8J,1/4J | | |
| D-SU2-W D-SU2-W-CO | Wide Angle Round | 1/8J,1/4J | | |
| D-SU4-W D-SU4-W-CO | Wide Angle Round | 1/8J,1/4J | | |
| D-SU5-W D-SU5-W-CO | Wide Angle Round | 1/8J,1/4J | | |
| SUJ11 | Round | 1/8JJ | | |
| SUJ12A | Round | 1/8JJ | PFJ2050 | PAJ73160 |
| SUJ12 | Round | 1/8JJ | PFJ2850 | PAJ73160 |
| SUJ22B | Round | 1/8JJ | PFJ40100 | PAJ1401110 |
| SUJ22 | Round | 1/8JJ | PFJ60100 | PAJ1401110 |
| SUJ340C | 360° Circular | 1/8JJ | PFJ60100 | PAJ150-6-62-160HC |
| SUJ16 | Wide Angle Round | 1/8JJ | PFJ2050 | PAJ67-6-20-70 |
| SUJ26B | Wide Angle Round | 1/8JJ | PFJ40100 | PAJ140-6-37-70 |
| SUJ26 | Wide Angle Round | 1/8JJ | PFJ60100 | PAJ140-6-37-70 |
| SUJ29 | Wide Angle Round | 1/8JJ | PFJ60100 | PAJ140-6-52-70 |
| SUJ30 | Wide Angle Round | 1/8JJ | PFJ40100 | PAJ120-6-35-60 |
| SUJ13A | Flat | 1/8JJ | PFJ2050 | PAJ73328 |
| SUJ13 | Flat | 1/8JJ | PFJ2850 | PAJ73328 |
| SUJ14 | Flat | 1/8JJ | PFJ2850 | PAJ73320 |
| SUJ23B | Flat | 1/8JJ | PFJ40100 | PAJ125328 |

| Set-up No. | Spray Pattern | Use With | Fluid Cap No. | Air Cap No. |
|------------|---------------|----------|---------------|-------------|
| SUJ23 | Flat | 1/8JJ | PFJ60100 | PAJ125328 |
| SUJE416-50 | Flat | 1/8JJ | PFJ1650 | PAJ105-50 |
| SUJE417-50 | Flat | 1/8JJ | PFJ2050 | PAJ105-50 |
| SUJE418-50 | Flat | 1/8JJ | PFJ2850 | PAJ105-50 |
| SUJE420-50 | Flat | 1/8JJ | PFJ40100 | PAJ135-50 |
| SUJE416-65 | Flat | 1/8JJ | PFJ1650 | PAJ080-65 |
| SUJE417-65 | Flat | 1/8JJ | PFJ2050 | PAJ080-65 |
| SUJE418-65 | Flat | 1/8JJ | PFJ2850 | PAJ080-65 |
| SUJE420-65 | Flat | 1/8JJ | PFJ40100 | PAJ125-65 |
| SUJE421-65 | Flat | 1/8JJ | PFJ60100 | PAJ-125-65 |
| SUJE416-90 | Flat | 1/8JJ | PFJ1650 | PAJ075-90 |
| SUJE417-90 | Flat | 1/8JJ | PFJ2050 | PAJ075-90 |
| SUJE418-90 | Flat | 1/8JJ | PFJ2850 | PAJ075-90 |
| SUJE420-90 | Flat | 1/8JJ | PFJ40100 | PAJ115-90 |
| SUJE421-90 | Flat | 1/8JJ | PFJ60100 | PAJ115-90 |
| SUJ1A | Round | 1/8JJ | PFJ1650 | PAJ64 |
| SUJ1 | Round | 1/8JJ | PFJ2050 | PAJ64 |
| SUJ2A | Round | 1/8JJ | PFJ2050 | PAJ70 |
| SUJ2 | Round | 1/8JJ | PFJ2850 | PAJ70 |
| SUJ3 | Round | 1/8JJ | PFJ2850 | PAJ64-5 |
| SUJ4B | Round | 1/8JJ | PFJ40100 | PAJ120 |
| SUJ4 | Round | 1/8JJ | PFJ60100 | PAJ120 |
| SUJF1 | Flat | 1/8JJ | PFJ2850 | PAJ73420 |
| SUJF2C | Flat | 1/8JJ | PFJ35100 | PAJ120432 |



| Set-up No. | Spray Pattern | Use With | Fluid Cap No. | Air Cap No. |
|------------|------------------|----------|---------------|-----------------|
| SUJF3B | Flat | 1/8JJ | PFJ40100 | PAJ122435 |
| SUJF4B | Flat | 1/8JJ | PFJ40100 | PAJ122440 |
| SU75 | Flat | 1/2J | PF250375 | PA4533102 |
| SU85 | Flat | 1/2J | PF251376 | PA4693102 |
| SU77 | Wide Angle Round | 1/2J | PF250375 | PA422-6-73-70 |
| SU78 | Wide Angle Round | 1/2J | PF250375 | PA422-6-94-70 |
| SU79 | Wide Angle Round | 1/2J | PF250375 | PA469-6-125-70 |
| SU89 | Wide Angle Round | 1/2J | PF251376 | PA469-6-130-70 |
| SU72 | Round | 1/2J | PF250375 | PA4221250 |
| SU82 | Round | 1/2J | PF251376 | PA4691312 |
| SUE75 | Flat | 1/2J | PF250375 | PA14356 |
| SU159 | Wide Angle Round | 1J | PF4371000 | PA1109-6-224-70 |
| SU152 | Round | 1J | PF4371000 | PA11091547 |
| SU172 | Round | 1J | PF6251000 | PA11251625 |
| SU155 | Flat | 1J | PF4371000 | PA11093187 |
| SUE175B | Flat | 1J | PF625780 | PA12116 |
| SU170 | Round | 1J | PF6251000 | PA1125 |
| SUQR-220B | Round | QMJ | PFQ40 | PAQR95 |
| SUQW-260B | Wide Angle Round | QMJ | PFQ30 | PAQW37-60 |
| SUQW-260 | Wide Angle Round | QMJ | PFQ60 | PAQW37-60 |
| SUQW-290 | Wide Angle Round | QMJ | PFQ60 | PAQW52-60 |
| SUQF-130 | Flat | QMJ | PFQ20 | PAQF28 |
| SUQF-N130 | Flat | QMJ | PFQ30 | PAQF28 |
| SUQF-230B | Flat | QMJ | PFQ30 | PAQF35 |
| SUQF-230 | Flat | QMJ | PFQ40 | PAQF40 |
| SUQR-200 | Round | QMJ | PFQ5028 | PAQR070 |
| SUQR-300 | Round | QMJ | PFQ10060 | PAQR120 |
| SUQF-200C | Flat | QMJ | PFQ10035 | PAQF450121 |

| Set-up No. | Spray Pattern | Use With | Fluid Cap No. | Air Cap No. |
|------------|---------------|----------|---------------|---------------|
| SUQR-300B | Flat | QMJ | PFQ10040 | PAQF450121 |
| SUQF-300 | Flat | QMJ | PFQ10060 | PAQF450121 |
| SUVM67B | Variable | VMAU | VMF1650 | VMA67255-60 |
| SUVM67A | Variable | VMAU | VMF2050 | VMA67255-60 |
| SUVM67 | Variable | VMAU | VMF2850 | VMA67255-60 |
| SUVM113A | Variable | VMAU | VMF3578 | VMA113289-60 |
| SUVM113 | Variable | VMAU | VMF4078 | VMA113289-60 |
| SUVM128 | Variable | VMAU | VMF60100 | VMA1282100-60 |
| SUVM152 | Variable | VMAU | VMF80125 | VMA1522110-60 |
| SUV67B | Variable | VAU | VF1650 | VA67255-60 |
| SUV67A | Variable | VAU | VF2050 | VA67255-60 |
| SUV67 | Variable | VAU | VF2850 | VA67255-60 |
| SUV113A | Variable | VAU | VF3578 | VA113293-60 |
| SUV113 | Variable | VAU | VF4078 | VA113293-60 |
| SUV128 | Variable | VAU | VF60100 | VA1282125-60 |
| SUV152 | Variable | VAU | VF80125 | VA1522125-60 |
| SUVXE1A | Flat | VX | PFX16 | PAVX140A |
| SUVXE2C | Flat | VX | PFX16 | PAVX156A |
| SUVXE1 | Flat | VX | PFX20 | PAVX140A |
| SUVXE2B | Flat | VX | PFX20 | PAVX156A |
| SUVXE2A | Flat | VX | PFX28 | PAVX156A |
| SUVXE3B | Flat | VX | PFX28 | PAVX180A |
| SUVXE2 | Flat | VX | PFX40 | PAVX156A |
| SUVXE3A | Flat | VX | PFX40 | PAVX180A |
| SUVXE3 | Flat | VX | PFX60 | PAVX180A |
| SUVXE4B | Flat | VX | PFX60 | PAVX200A |
| SUVXE4A | Flat | VX | PFX80 | PAVX200A |
| SUVXE4 | Flat | VX | PFX100 | PAVX200A |

