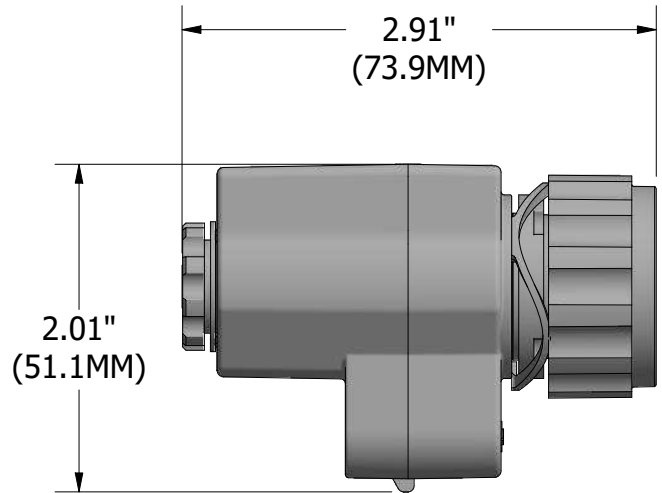


DynaJet® High Flow Valve

FEATURES:

- HIGH FLOW, ELECTRIC SOLENOID SHUTOFF VALVE
- VALVE IS NORMALLY CLOSED FOR SAFETY
- SUITABLE FOR PWM APPLICATIONS AT 20 Hz
- MAXIMUM 100 PSI (7 BAR) SPRAYING PRESSURE AT MINIMUM VOLTAGE (12V)
- 0.9 GPM (3.4 LPM) AT 5 PSI (0.34 BAR) PRESSURE DROP
- 1.3 GPM (4.9 LPM) AT 10 PSI (0.69 BAR) PRESSURE DROP
- ALL WETTABLE PARTS ARE STAINLESS STEEL OR VITON® EQUIVALENT
- CURRENT DRAW OF 1.17 AMPS (14 WATTS) AT 12 VOLTS
- RESPONSE TIME: 6-12 ms
- VOLTAGE ENERGIZES THE SOLENOID COIL TO OPEN THE VALVE
- REMOVAL OF POWER ALLOWS A SPRING TO CLOSE THE VALVE
- UNIVERSAL FITMENT OF ALL TEEJET® NOZZLE BODIES
- REQUIRES 98552 CABLE w/ 2-PIN FEMALE SUPERSEAL 1.5 CONNECTOR



NOTE: IT IS RECOMMENDED TO INCLUDE A LINE STRAINER OF 80 MESH OR FINER WITH ALL DYNAJET® HF VALVE APPLICATIONS

HOW TO ORDER:

116280- -12-

TYPE
 BLANK = TEEJET® BODIES
 7 = ARAG/HYPRO® BODIES

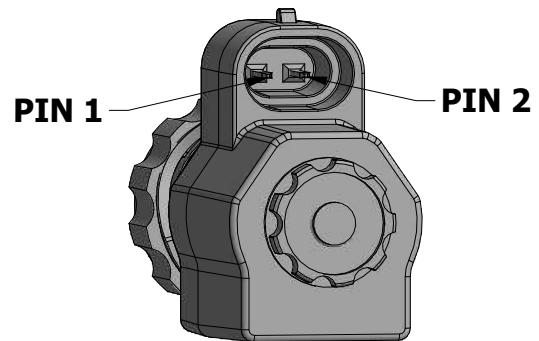
VOLTAGE
 12 = 12VDC
 24 = 24VDC

CABLE LENGTH CODE
 BLANK = NO CABLE
 05 = 0.5 METER (20")
 15 = 1.5 METER (60")
 30 = 3.0 METER (120")
 60 = 6.0 METER (240")

WIRING CHART

PIN TERMINAL	WIRING
1	(+) POSITIVE
2	(-) NEGATIVE

NOTE: (+) & (-) TERMINALS CAN BE INTERCHANGED.



98552-2-__ : CABLE (SEE DATA SHEET DS98552)

DESCRIPTION:

DYNAJET® HF VALVE
 12V SOLENOID OPERATED
 ELECTRIC SHUTOFF VALVE



REVISION NO.

1

REFERENCE:

09/01/21

Parts List No.

DS116280-12

SHEET:

1 OF 1

DWG SIZE:

A